



The new CLE Coupé

Price list from 1st June to 31st July 2024

Mercedes-Benz



Welcome

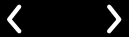
At Mercedes-Benz we appreciate the importance of detail. Over the following pages you'll find model prices and a breakdown of standard and optional equipment, as well as details of the attractive finance offers and benefits that are available to every Mercedes-Benz driver.

We have highlighted some of the best styling features both inside and out, some of the new technology features and some body styling options which all combine to give you a unique driving experience. To experience a full listing of what is available; please speak directly to your local Mercedes-Benz Dealer.

Of course, some things have to be experienced to be truly appreciated, such as the qualities that set a Mercedes-Benz apart, which is why we'd like to invite you for a test drive at your local Mercedes-Benz Dealership. Discover the location and the contact details of your local Mercedes-Benz Dealership at www.mercedes-benz.ie



Some of the model features, optional extras and colours shown may not be available, or may only be available in a different specification, or at a different price.



Some of the model features, optional extras and colours shown may not be available, or may only be available in a different specification, or at a different price.





Some of the model features, optional extras and colours shown may not be available, or may only be available in a different specification, or at a different price.

Model prices

Petrol

Model Description	Wheel size	CO2	VRT Rate	Road Tax	CC	BHP	Price*
CLE 200 Coupé AMG Line Plus	18"	141-145	21.50%	€270	1999	204	€74,670
CLE 300 4MATIC Coupé AMG Line Plus	19"	156-170	30.00%	€420	1999	258	€89,545
CLE 450 4MATIC Coupé AMG Line Plus	19"	171-190	35.00%	€600	2999	381	€109,880
Mercedes-AMG CLE 53 4MATIC+ Coupé	19"	191 +	41.00%	€1,250	2999	449	€130,440

Diesel

Model Description	Wheel size	CO2	VRT Rate	Road Tax	CC	BHP	Price*
CLE 220 D Coupé AMG Line Plus	18"	141-145	21.50%	€270	1993	197	€73,215



CLE

Technology

DIGITAL LIGHT

High-definition headlamps with innovative features

- Standard
- Not available

The new innovative DIGITAL LIGHT headlamps works like a projector with more than one million pixels per headlamp and responds with brilliant light to changing traffic, road or weather conditions. Its ULTRA RANGE Highbeam with 650 m makes you feel like driving at daylight. DIGITAL LIGHT is also able to provide assistance in the form of messages on the road in front of you.¹

¹This additional function depends on local road traffic laws

Available as part of the Premium Package



Mercedes-Benz User Experience (MBUX)

Transforming the in-car user experience, thanks to MBUX: Controlled via voice or touch input, the innovative infotainment system can over time even predict personal habits thanks to artificial intelligence.

Voice control

- Activated by the keywords “Hey Mercedes”, the new intelligent voice control LINGUATRONIC¹ lets you control many of the infotainment functions, including destination input, phone calls or music selection
- MBUX is able to understand different accents and will adjust to you over time
- MBUX even understands indirect commands. Feeling chilly? Just say “I feel cold” and MBUX will adjust the temperature for you

Touch inputs

- Beside voice control you can operate MBUX via touchscreen as well as touch control buttons on the steering wheel

Personalisation

- Turn the new CLE into your very own Mercedes-Benz by personalising driving modes, radio stations and much more
- Your personal settings can be saved in up to seven different profiles, making your driving experience the best one possible
- Thanks to artificial intelligence, MBUX is able to learn and adapt over time. It will be able to predict your personal habits, such as navigation for frequently-driven routes, or the radio station you like to listen to on your way home from work

Maintenance and service

- Wondering when the next service is due? Or how much further you can drive until you need to stop at a petrol station? Just ask your MBUX – it will tell you the answer



Mercedes me connect

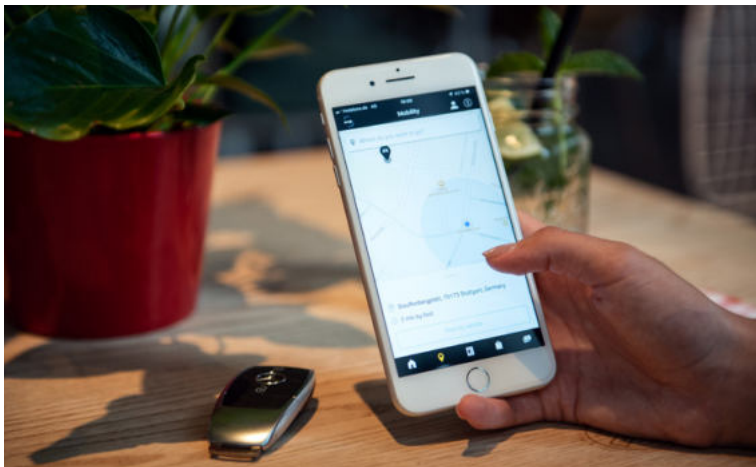
Stay connected any time, anywhere.

Mercedes *me*

Mercedes me is a range of innovative online services designed to enhance your Mercedes-Benz experience. Accessible via mobile, tablet or PC, Mercedes me lets you enjoy the highest standards of care and support, in a way that integrates seamlessly with your busy lifestyle.

Safety and Service – Mercedes me connect helps to keep you and your car safe

Check your car's oil level, tyre pressure and fuel from your phone so you'll be ready for every journey.

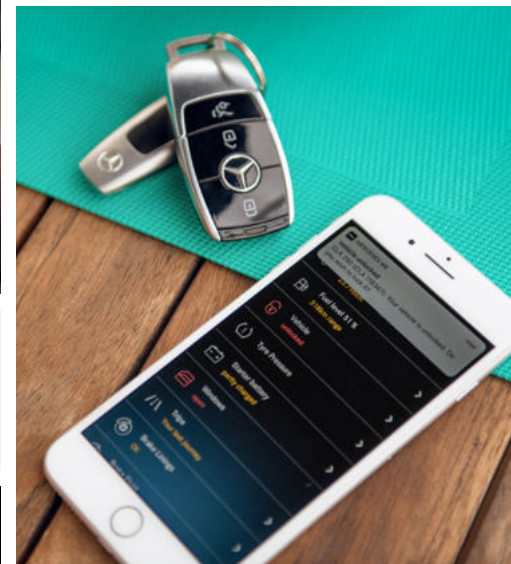


Live Traffic Information, Parked Vehicle Locator and much more with Mercedes me connect

Forgot where you've parked? Parked Vehicle Locator¹ will show you exactly where your car is as long as you're in a 1.5 km radius of where you parked. Real-time traffic data and dynamic route with shorter journey times.

Comfort – connect to your car anytime, anywhere

Forgot to lock your car? With Remote Car Lock² you will receive a notification on your smartphone to let you know. With one tap, you can lock and unlock your vehicle so you never have to worry.



¹The connection of the communication module to the mobile phone network including the emergency call system depends on the respective network coverage and availability of network providers

²Available on all models with the Vehicle Monitoring package. This option may vary between standard and additional cost dependent on the model

³Part of the Vehicle Status package. This option may vary between standard and additional cost dependent on the model

Images shown are for illustration purposes only

< >

CLE Model lines overview

AMG Line »



AMG Line Standard equipment highlights



Option shown: spectral blue metallic

Standard RSJ 18" AMG Wheel (CLE 200 + CLE 220D)



Option shown: high tech silver

Standard RVA 19" AMG Wheel (CLE 300 4MATIC + CLE 450 4MATIC)

Engine, Transmission and Suspension

AGILITY CONTROL sports suspension – lowered by 15 mm

DYNAMIC SELECT with a choice of driving modes: 'Eco', 'Comfort', 'Sport', 'Sport+' and 'Individual'

Wheels

18" AMG 5-twin-spoke light-alloy wheels aerodynamically optimised and painted in tantalite grey with a high-sheen finish (code RSJ) (CLE 200 + CLE 220D)

19" AMG multi-spoke light-alloy wheels aerodynamically optimised, painted in black with a high-sheen finish (code RVA) (CLE 300 4MATIC + CLE 450 4MATIC)

Exterior

Ambient lighting with projection of brand logo

AMG Line exterior

Blind Spot Assist

LED High-Performance headlamps with Adaptive Highbeam Assist

Mirror package – electrically-folding exterior mirrors and automatically-dimming rear-view mirror

Summer tyres



18" AMG RSJ Wheel



19" AMG RVA Wheel

Some of the model features, optional extras and colours shown may not be available, or may only be available in a different specification, or at a different price



Memory package

Interior

Ambient Lighting Premium

AMG Line interior

Illuminated door sill panels with 'Mercedes-Benz' lettering

Interior Light package

KEYLESS-GO

Memory package

Seats – four-way lumbar support

Seats – heated, front

THERMATIC automatic climate control

Communications and In-Car Entertainment

Fingerprint scanner

Smartphone integration¹ including Apple CarPlay® and Android Auto™

USB package

Wireless charging¹

¹Compatible mobile phone required

Safety and Assistance Systems

Blind Spot Assist

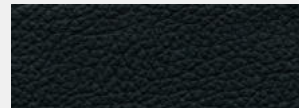
Parking package with reversing camera

Traffic Sign Assist

Trim and Upholstery

Metal structure trim element (H64)

Artico Leather – black



Upholstery - Artico Leather

● Standard □ Option



101 ARTICO leather, black ●



104 ARTICO leather, tonka brown / black □



105 ARTICO leather, beige / black □



601 ARTICO leather / microcut microfibre black □

*Please use our online car configurator to ensure the selected upholstery is compatible with your chosen paint colour.

Upholstery - Leather

● Standard □ Option



201 leather, black



204 leather, tonka brown / black



205 leather, beige / black



207 leather, power red / black

*Please use our online car configurator to ensure the selected upholstery is compatible with your chosen paint colour.

Upholstery - Nappa Leather

- Standard
- Option



801 nappa leather, black



804 nappa leather, tonka brown / black



809 nappa leather, white / black

*Please use our online car configurator to ensure the selected upholstery is compatible with your chosen paint colour.

Trim options

● Standard □ Option



Metal structure trim element (H64) ●



Black open-pore aluminium lines wood trim (H04) □



Brown open-pore walnut wood trim (H33) □



Anthracite linestructure lime wood trim (H08) □



AMG carbon-fibre trim element (H73) □

Wheel options

● Standard □ Option



(18-inch) AMG 5-twin-spoke light-alloy wheels aerodynamically optimised and painted in tantalite grey with a high-sheen finish **(RSJ)** ●



(18-inch) AMG 5-twin-spoke light-alloy wheels, aerodynamically optimised and painted in black with a high-sheen finish **(RSK)** □



(19-inch) AMG multi-spoke light-alloy wheels, aerodynamically optimised and painted in black with a high-sheen finish **(RVA)**¹ □ ●



(19-inch) AMG multi-spoke light-alloy wheels, aerodynamically optimised and painted in black with high-sheen rim flange **(RVB)** □



(20-inch) AMG multi-spoke light-alloy wheels, aerodynamically optimised painted in black with a high-sheen finish **(RVM)** □



(20-inch) AMG multi-spoke light-alloy wheels, aerodynamically optimised and painted in black with high-sheen rim flange **(RVN)** □

¹ Standard for CLE 300 4MATIC + CLE 450 4MATIC

Package options

Special equipment <small>Sometimes equipment will be replaced by an upgrade.</small>	Advanced Plus Package <small>always included</small>	Premium Package <small>from* €3,412</small>	Premium Plus Package <small>from* €10,218</small>
THERMATIC automatic climate control	✓	✓	✓
Ambient lighting	✓	✓	✓
Preinstallation for digital key transfer	✓	✓	✓
Heated front seats	✓	✓	✓
TIREFIT ¹	✓	✓	✓
Ambient lighting Plus	✓	✓	✓
Blind Spot Assist	✓	✓	✓
Fingerprint scanner	✓	✓	✓
Driver display	✓	✓	✓
Smartphone integration	✓	✓	✓
Wireless charging system for mobile devices in the front	✓	✓	✓
Parking Package with reversing camera	✓	×	×
Parking Package with 360° camera	×	✓	✓
Central display	✓	✓	✓
Adaptive Highbeam Assist	✓	✓	✓
USB Package	✓	✓	✓
Illuminated door sill panels with "Mercedes-Benz" lettering	✓	✓	✓
Mirror Package	✓	✓	✓
MBUX Navigation Premium	✓	✓	✓
KEYLESS-GO Comfort Package	×	✓	✓
DIGITAL LIGHT	×	✓	×
DIGITAL LIGHT with projection function	×	×	✓
Panoramic sliding sunroof	×	×	✓
Head-up display	×	×	✓
Burmester [®] 3D surround sound system	×	×	✓

* Price subject to vehicle specification and VRT rate.

Colour options

Non-metallic, metallic and MANUFAKTUR paints

● Standard □ Option



040 black non-metallic



197 obsidian black metallic



970 spectral blue metallic



885 MANUFAKTUR opalite white bright metallic



149 polar white non-metallic



831 graphite grey metallic



914 sun yellow



956 MANUFAKTUR alpine grey solid



922 high-tech silver metallic



993 MANUFAKTUR patagonia red metallic



993 MANUFAKTUR patagonia red metallic



Please note that, owing to limitations of on-screen representation, paint colours may differ from those shown

Driving Assistance package Plus¹

The Driving Assistance package Plus¹ contains a range of highly intelligent features to help you stay safe on the road – by making the drive more effortless, by warning of danger, and by taking steps to protect you in an emergency.

Driving Assistance package Plus¹ (code P20) – designed and priced as a package, including items listed below.

From* €3,927

Active Blind Spot Assist: can warn the driver of vehicles in the blind spot during a lane change and can help to avoid a collision by means of one-sided braking intervention

Active Braking Assist with cross-traffic function can help to avoid accidents with vehicles ahead, crossing traffic and also pedestrians, and/or mitigate their consequences

Active Distance Assist DISTRONIC helps maintain the desired distance from the vehicle in front with extended automatic re-start on motorways

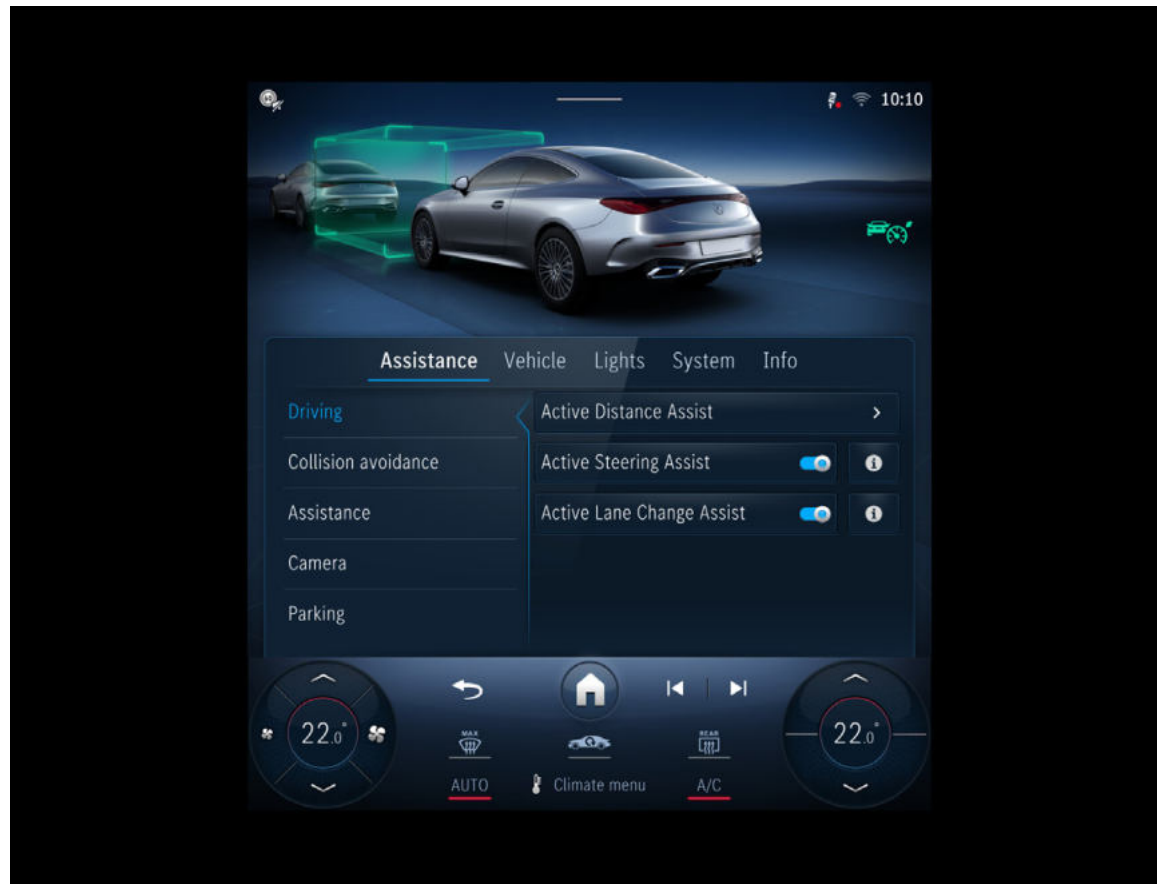
Active Lane Change Assist supports you by bringing you into the parallel lane if there is space when changing lanes

Active Speed Limit Assist ensures detected speed limits are automatically adopted as the set speed for Active Distance Assist DISTRONIC

Evasive Steering Assist can support the driver in making evasive manoeuvres if, in a dangerous situation, he/she moves to avoid any pedestrian detected by the system

PRE-SAFE® can prepare the occupants for a side-on collision and reduce the risk of injury. Like a bodyguard, it pushes the driver or front passenger away from the danger zone towards the inside

PRE-SAFE® PLUS when a rear-end collision threatens, PRE-SAFE® PLUS can initiate preventive measures, including warning following traffic and locking the brakes on standstill



¹Our driver assistance and safety systems are aids and do not relieve you of your responsibility as the driver. Please take note of the information in the Owner's Manual and the system limits which are described therein

* Price subject to vehicle specification and VRT rate.

Technical data Coupé

- Standard

Model	CLE 200	CLE 300 4MATIC	CLE 450 4MATIC	CLE 220 d
Engine				
Fuel delivery	Petrol	Petrol	Petrol	Diesel
Total displacement	cc 1,999	1,999	2,999	1,993
Arrangement/cylinders/valves	in-line/4/16	in-line/4/16	in-line/6/24	in-line/4/16
Power ¹	hp (kW) at rpm 204 (150)/5,800	258 (190)/5,800	381 (280)/5,800–6,100	197 (145)/3,600
Torque ¹	Nm at rpm 320/1,600–4,000	400/2,000–3,200	500/1,800–5,000	440/1,800–2,800
Compression ratio	12:01	10:01	10.5:1.0	15.5:1.0
Emissions standard	Euro 6d-ISC-FCM	Euro 6d-ISC-FCM	Euro 6d-ISC-FCM	Euro 6d-ISC-FCM

Transmission				
9G-TRONIC PLUS 9-speed automatic	●	●	●	●

Performance				
Acceleration 0–100 km/h	sec 7.4	6.2	4.4	7.5
Top speed	km/h 240	250	250	238

Weights and capacities				
Kerb weight ²	kg 1,790	1,855	1,945	1,870
Perm. Gross Vehicle Weight	kg 2,265	2,330	2,400	2,345
Boot capacity – seats up	l 420	420	420	420
Towing capacity – unbraked/braked	kg 750/1,800	750/1,800	750/1,800	750/1,800
Fuel tank capacity/of which reserve	l 66/7	66/7	66/7	66/7
Turning circle	m 11.2	11.7	11.7	11.2

¹Figures according to Directive 80/1269/EEC in the currently applicable version ²Mass of the vehicle in running order with at least 90% full fuel tank, plus the mass of the driver (estimated by law at 75 kg), fuel and fluids, equipped with the standard equipment as specified by the manufacturer as well as, where applicable, the mass of the body, cab, trailer coupling and spare wheel(s) as well as tools. Optional extras, additional equipment and accessories can influence the weight, residual payload, rolling resistance, aerodynamics, etc., and therefore also affect the consumption/CO₂/VRT values.

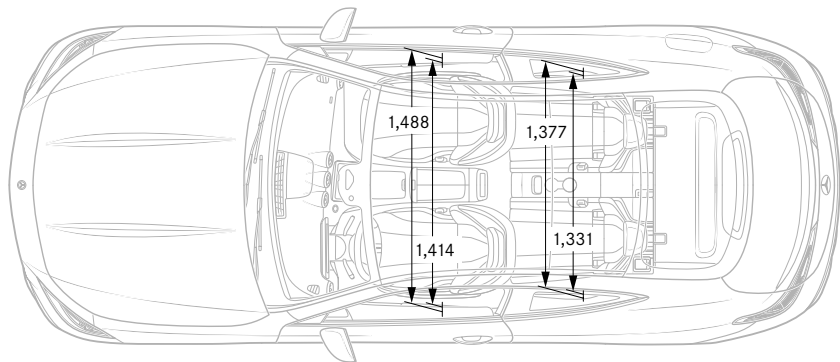
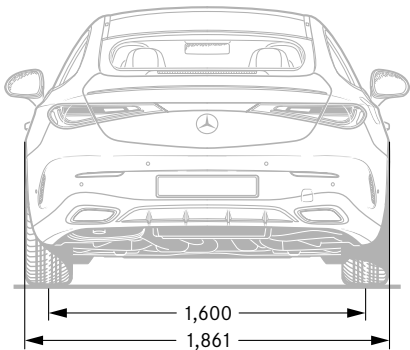
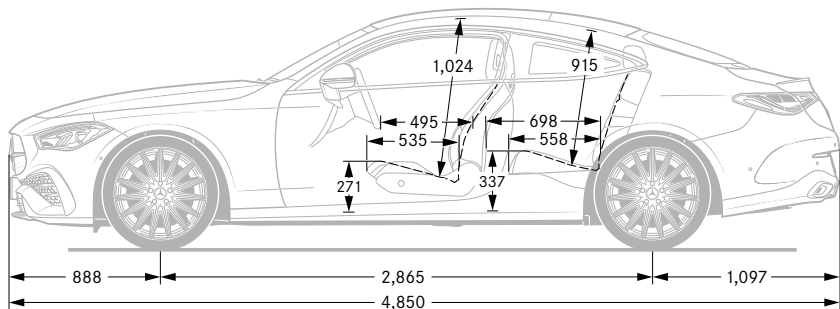
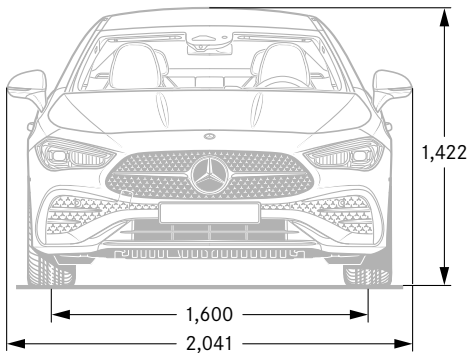
Technical data Coupé

Model		CLE 200	CLE 300 4MATIC	CLE 450 4MATIC	CLE 220 d
Fuel consumption^{3,4,5}					
Combined (consumption dependent on chosen optional equipment)	l/100 km mpg	6.6-6.4 42.8-44.1	7.2-7.1 39.2-39.8	7.8-7.7 36.2-36.7	4.8-4.7 58.9-60.1

³All figures are based on a standard specification with the smallest tyre size. The choice of wheels and transmission may affect CO₂ emissions and corresponding VRT rate. ⁴The indicated values were determined according to the prescribed measurement method – Worldwide Harmonised Light Vehicle Test Procedure (WLTP). Figures shown may include options which are not available in Ireland.

< >

AMG Line





Mercedes me

Welcome to your Mercedes-Benz world.

Imagine if ...you could connect with your Mercedes-Benz? With Mercedes me connect, you can! Mercedes me connect offers you new connectivity services that make driving more comfortable and incorporates your car into your personal lifestyle.

Standard Services

- Maintenance Management
- Telediagnosics
- Breakdown Management
- Accident Recovery
- Mercedes-Benz Emergency Call System

Remote Online Services¹

- Remote Retrieval of Vehicle Status (fuel level, tyre pressure etc.)
- Parked Vehicle Locator
- Vehicle Tracker
- Geofencing
- Door lock / unlock function


¹ Can be used with Remote Online special feature.





Getting connected is easy. Just set up your Mercedes me account and get in touch with your Mercedes-Benz dealer to connect your vehicle to your profile to access your Mercedes me connect services.


Contact your dealer to get connected, or go to www.mercedes.me for more details.


Follow us on the following social media channels:


 facebook.com/MercedesBenzIreland

 instagram.com/mercedesbenz_ireland

 [linkedin.com/company/motor distributors ltd](https://linkedin.com/company/motor-distributors-ltd)

 twitter.com/MB_IRELAND

 youtube.com/mercedesbenzireland

 pinterest.com/mercedesbenzire

Motor Distributors Ltd.
Naas Road
Dublin 12
Ireland
www.mercedes-benz.ie

Information correct at time of going to print. Prices and specifications are subject to change without prior notice. Prices quoted do not include dealer and delivery related charges. Images are for illustrative purposes only, actual product may vary. For more specific information in relation to the range of models, features, optional extras, colours and services available please speak to your local authorised Mercedes-Benz dealer.