

# MERCEDES-AMG GT 4-DOOR COUPÉ

Price List from 1<sup>st</sup> January to 31<sup>st</sup> March 2025



**AMG**

# Welcome

At Mercedes-Benz we appreciate the importance of detail. Over the following pages you'll find model prices and a breakdown of standard and optional equipment, as well as details of the attractive finance offers and benefits that are available to every Mercedes-Benz driver.

We have highlighted some of the best styling features both inside and out, some of the new technology features and some body styling options which all combine to give you a unique driving experience. To experience a full listing of what is available; please speak directly to your local Mercedes-Benz Dealer.

Of course, some things have to be experienced to be truly appreciated, such as the qualities that set a Mercedes-Benz apart, which is why we'd like to invite you for a test drive at your local Mercedes-Benz Dealership. Discover the location and the contact details of your local Mercedes-Benz Dealership at [www.mercedes-benz.ie](http://www.mercedes-benz.ie)







Some of the model features, optional extras and colours shown may not be available, or may only be available in a different specification, or at a different price.



Some of the model features, optional extras and colours shown may not be available, or may only be available in a different specification, or at a different price.





Some of the model features, optional extras and colours shown may not be available, or may only be available in a different specification, or at a different price.



Some of the model features, optional extras and colours shown may not be available, or may only be available in a different specification, or at a different price.

# Price List

## Mercedes-AMG GT 4-door Coupé October MY805

Model	Model Description	Fuel Type	Wheel	WLTP	NOx Value	Band %	Road Tax	CC	BHP	Retail Price €
290659	Mercedes-AMG GT 43 4MATIC+ Coupé	Petrol	RSU 19"	216	16.8	41%	€1,250.00	2999	367	€182,792.00
290661	Mercedes-AMG GT 53 4MATIC+ Coupé	Petrol	RSU 19"	216	16.8	41%	€1,250.00	2999	435	€209,390.00
290689	Mercedes-AMG GT 63 S 4MATIC+ Coupé	Petrol	RZU 20"	288	11.5	41%	€2,400.00	3982	639	€279,495.00
290679	Mercedes-AMG GT 63 S EQ 4MATIC Performance Coupé	PHEV	RZU 20"	202	3.6	41%	€1,250.00	3982	639	€392,795.00

**Note** The NOx value and NOx levy are based on the standard vehicle configuration and maybe subject to change.  
Vehicles will be charged the NOx levy as part of VRT based on the COC of the vehicle, the NOx value of the vehicle may differ from above.

\*Prices applicable to all models registered from 1st January to 31st March 2025. Subject to availability. Terms & Conditions apply. Prices quoted do not include dealer and delivery related charges.  
Owing to supply shortages, options for vehicles may be temporarily restricted, resulting in modified vehicle and/or package pricing . Regularly updated information on this issue is available from Mercedes-Benz dealers.





Mercedes-AMG GT

**TECHNOLOGY**

# Mercedes me connect

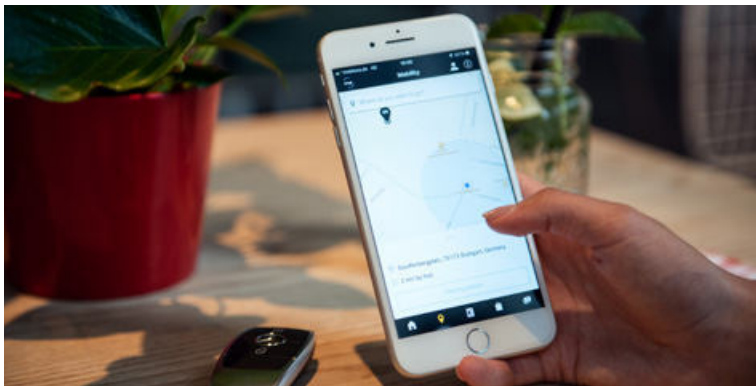
Stay connected any time, anywhere.

# Mercedes *me*

Mercedes me is a range of innovative online services designed to enhance your Mercedes-Benz experience. Accessible via mobile, tablet or PC, Mercedes me lets you enjoy the highest standards of care and support, in a way that integrates seamlessly with your busy lifestyle.

## Safety and Service – Mercedes me connect helps to keep you and your car safe

Check your car's oil level, tyre pressure and fuel from your phone so you'll be ready for every journey.



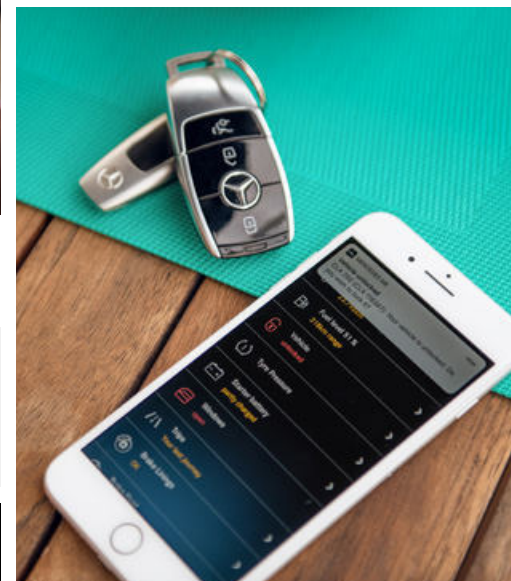
## Live Traffic Information, Parked Vehicle Locator and much more with Mercedes me connect

Forgot where you've parked? Parked Vehicle Locator<sup>1</sup> will show you exactly where your car is as long as you're in a 1.5km radius of where you parked. Real-time traffic data and dynamic route with shorter journey times.

For more information speak to your local Retailer or visit the Mercedes me connect store at <https://www.mercedes-benz.ie/passengercars/being-an-owner/mercedes-me-connect.html>

## Comfort – connect to your car anytime, anywhere

Forgot to lock your car? With Remote Car Lock<sup>2</sup> you will receive a notification on your smartphone to let you know. With one tap, you can lock and unlock your vehicle so you never have to worry.



<sup>1</sup>Available on all models with the Vehicle Monitoring package. This option may vary between standard and additional cost dependent on the model

<sup>2</sup>Part of the Vehicle Status package. This option may vary between standard and additional cost dependent on the model

Images shown are for illustration purposes only



Mercedes-AMG GT

# PLUG-IN HYBRID



< >

# AMG HIGH-PERFORMANCE BATTERY

Lightweight, durable and compact



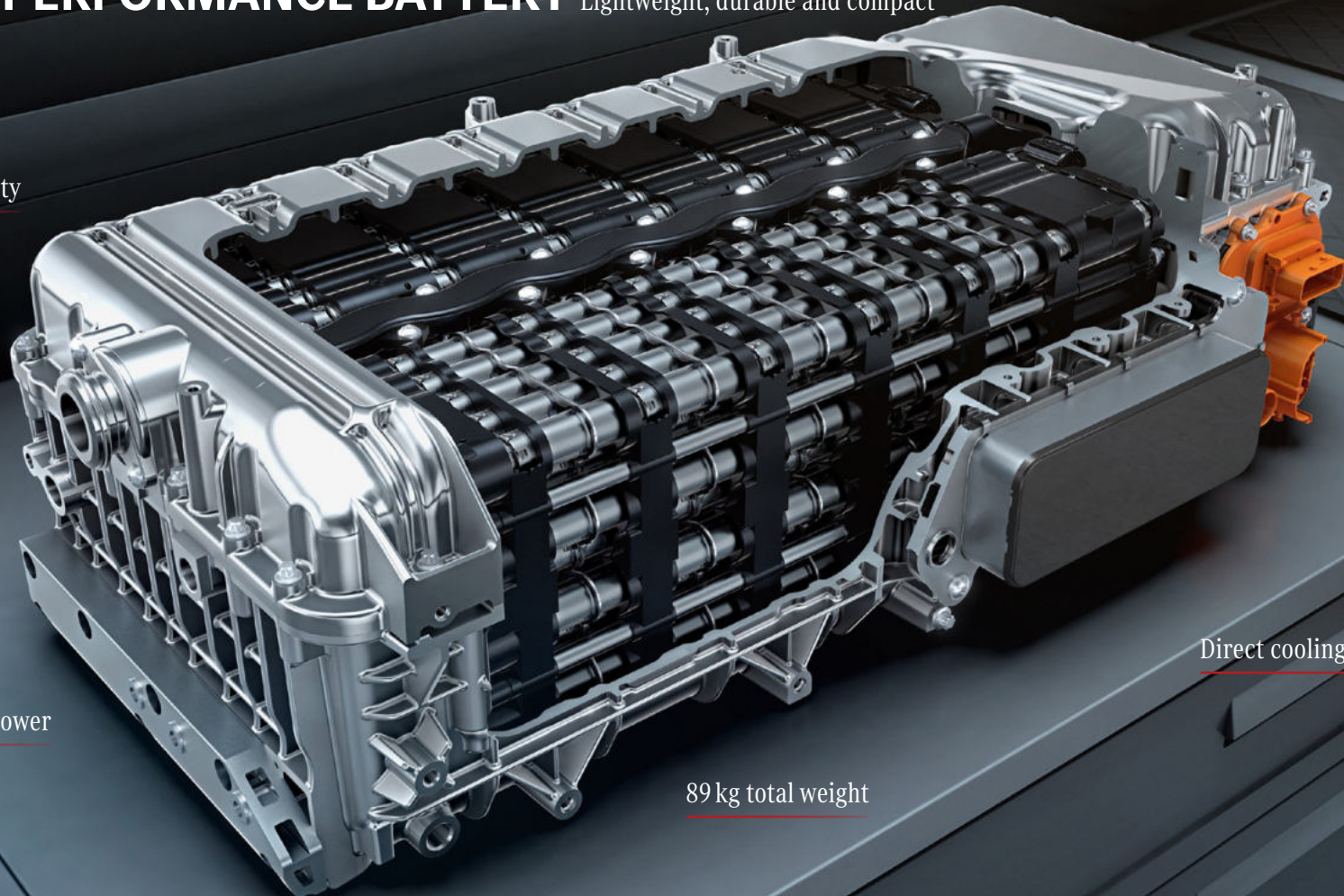
6.1kWh capacity

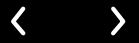
150 kW peak power

70 kW continuous power

Direct cooling of battery cells

89 kg total weight





# PERFORMANCE HYBRID ELECTRIC DRIVE UNIT

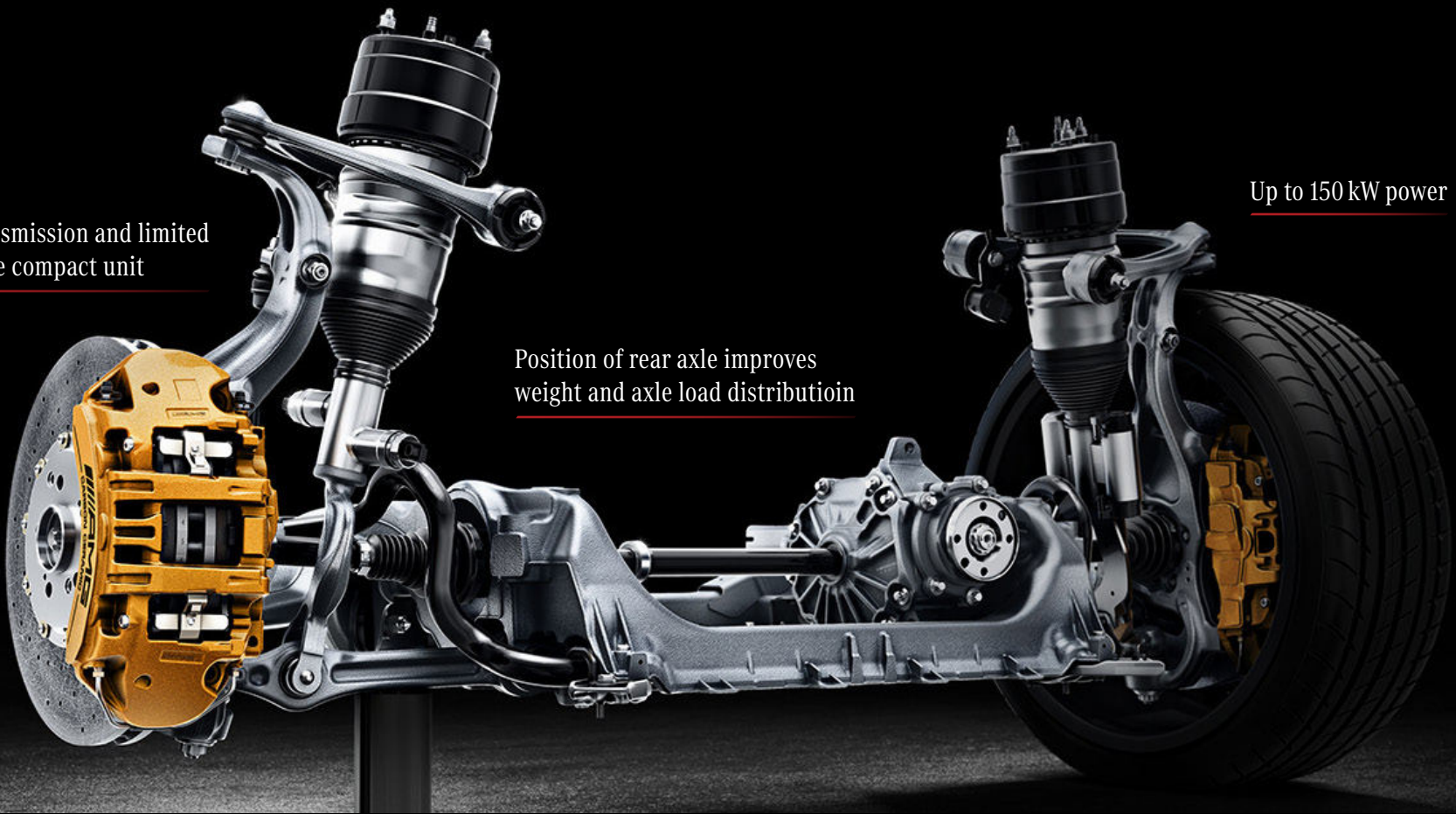
Compact integrated unit on the rear axle



E-motor, 2-speed transmission and limited slip differential in one compact unit

Position of rear axle improves weight and axle load distribution

Up to 150 kW power





# PERFORMANCE HYBRID

Benefits of the P3 layout



Optimised weight and axle load distribution  
for top traction and ideal handling

Optimum efficiency  
with recuperation

High efficiency of  
the overall drive

2-speed transmission for very agile  
driving experience and increased comfort

The electric motor acts directly on the  
rear axle and can convert its power more  
directly into propulsion





< >

# PERFORMANCE HYBRID

Outstanding performance for dynamic optimisation



Electric drive unit with electric motor,  
2-speed transmission and rear axle  
limited slip differential

Belt driven  
starter alternator

M177 AMG 4.0-litre V8  
BITURBO engine with over  
600 kW system output

AMG SPEEDSHIFT  
MCT transmission

AMG High-Performance  
Battery



# MERCEDES-AMG GT 4 Door Model lines overview



**Mercedes-AMG GT 53 4MATIC+ (435 HP)**



**Mercedes-AMG GT 63 S 4MATIC+ (639 HP)**



**Mercedes-AMG GT 63 S E Performance Hybrid (843 HP)**

# MERCEDES-AMG GT 53 4MATIC+ Standard equipment highlights



## Exterior

- 19-inch AMG 5-twin-spoke light-alloy wheels
- AMG-specific radiator grille
- AMG Ride Control Suspension
- AMG SPEEDSHIFT TCT 9G
- Bonnet with power domes
- EASY-PACK tailgate
- Flat LED tail lights with sequential turn signals
- Heat-insulating glass for side windows and rear window
- KEYLESS-GO Comfort package
- KEYLESS-GO starting function
- Mirror package
- MULTIBEAM LED headlamps with Adaptive Highbeam Assist Plus





# MERCEDES-AMG GT 63 S 4MATIC+ Standard equipment highlights



In addition to/replacement of Mercedes-AMG GT 53 4MATIC+

### Exterior

- 20-inch AMG multi-spoke light-alloy wheels
- AMG Dynamic Plus Package
- AMG Electronic Limited-slip Differential
- AMG Light Display
- AMG Ride Control+
- Rear Axle Steering
- Yellow-painted AMG Brake Callipers



# MERCEDES-AMG 63 S E Performance Hybrid Standard equipment highlights



In addition to/replacement of Mercedes-AMG 63 S 4MATIC+

**Exterior**

- AMG High Performance Ceramic Composite Braking System
- Charging cable for wallbox and public charging station
- Charging cable for domestic socket
- Heated Windscreen Washer System
- Remote & Charging Services Plus



# INTERIOR



## Safety and Assistance Systems

- Blind Spot Assist
- Parking package – Parking Assist with PARKTRONIC and 360° camera

## Communications and In-Car Entertainment

- Burmester® surround sound system
- Hard Disc Navigation
- MBUX augmented reality for navigation
- Smartphone integration<sup>1</sup>

<sup>1</sup>Compatible mobile phone required



## Interior

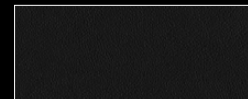
- AMG illuminated door sills with 'AMG' lettering
- AMG instrument cluster
- AMG Performance steering wheel in NAPPA Leather

- AMG sports seats with embossed AMG emblem in the head restraints
- Floor mats – AMG floor mats with 'AMG' lettering
- Heated front seats

- Heated rear seats
- Memory package
- THERMOTRONIC automatic 3-zone climate control

## Trim and Upholstery

- Black Piano Lacquer Look
- Nappa leather – black





# COLOUR OPTIONS Non-metallic and metallic paints

Cost option     No Cost Option



149 polar white non-metallic

X



197 obsidian black metallic

X



831 graphite-grey metallic

X



922 high-tech silver metallic

X



149 spectral blue metallic

X

# COLOUR OPTIONS MANUFAKTUR paints

Cost option     No Cost Option



927 MANUFAKTUR selenite grey magno



593 MANUFAKTUR spectral blue magno



799 MANUFAKTUR diamond white bright



818 MANUFAKTUR graphite grey magno



993 MANUFAKTUR patagonia red bright



660 MANUFAKTUR rubellite red metallic

Please note that, owing to limitations of on-screen representation, paint colours may differ from those shown

# COLOUR OPTIONS MANUFAKTUR special paints

Cost option     No Cost Option



049 MANUFAKTUR cashmere white magno



124 MANUFAKTUR classic grey solid



255 MANUFAKTUR olive metallic



385 MANUFAKTUR Côte d'Azur light blue metallic



658 MANUFAKTUR copper orange magno



677 MANUFAKTUR kalahari gold magno



685 MANUFAKTUR yellowstone solid



934 MANUFAKTUR vintage blue solid

Please note that, owing to limitations of on-screen representation, paint colours may differ from those shown



# UPHOLSTERY Nappa Leather & Exclusive Nappa Leather

Cost option     No Cost Option



Nappa leather black (801A)



Exclusive nappa leather, black (501A)



Exclusive nappa leather, red pepper / black (507A)



Exclusive nappa leather, black / titanium grey pearl (528A)



Exclusive nappa leather / DINAMICA microfibre black (701A)



Exclusive nappa leather / DINAMICA microfibre black (711A)

# UPHOLSTERY MANUFAKTUR Leather

Cost option     No Cost Option



MANUFAKTUR saddle brown / black (554A)



MANUFAKTUR macchiato beige / magma grey (565A)



MANUFAKTUR yacht blue / black (952A)



MANUFAKTUR siena brown / black (954A)



MANUFAKTUR classic red / black (957A)



MANUFAKTUR neva grey / black (958A)



MANUFAKTUR deep white / black (959A)



934 MANUFAKTUR truffle brown / black (564A)

# TRIM OPTIONS

Cost option    No Cost Option



black piano-lacquer-look trim (H80)



Anthracite open-pore poplar wood trim (H02)



Grey open-pore ash wood trim (H32)

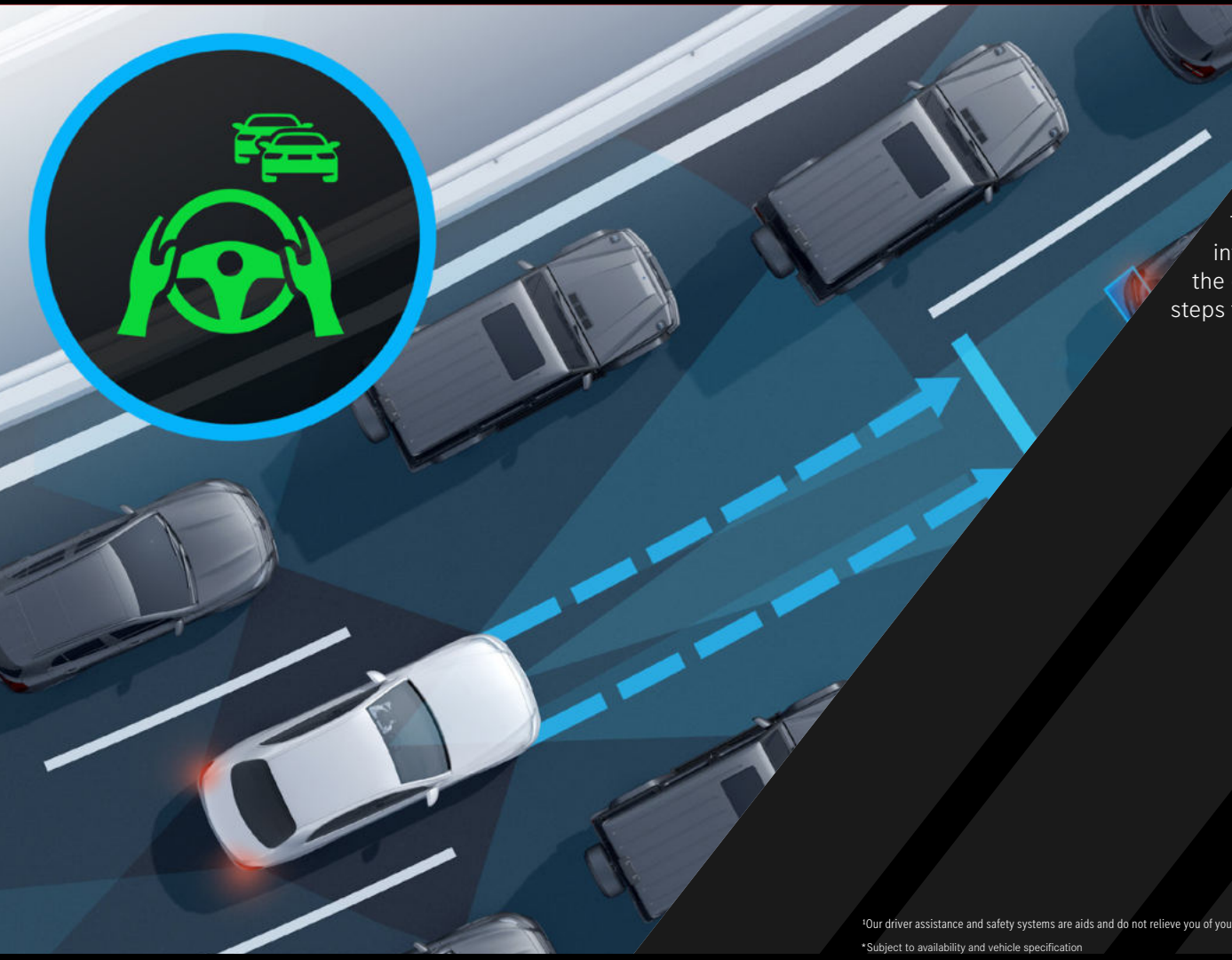
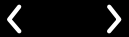


AMG carbon-fibre trim (H73)



AMG matt carbon-fibre trim elements (H77)





# DRIVING ASSISTANCE PACKAGE PLUS

The Driving Assistance package Plus<sup>1</sup> contains a range of highly intelligent features to help you stay safe on the road – by making the drive more effortless, by warning of danger, and by taking steps to protect you in an emergency.

## Driving Assistance package Plus<sup>1</sup> (code P20)

- Active Blind Spot Assist
- Active Brake Assist & Active Stop-and-Go Assist
- Active Distance Assist DISTRONIC
- Active Lane Keeping Assist
- Active Steering Assist
- Evasive Steering Assist
- PRE-SAFE<sup>®</sup> PLUS & PRE-SAFE<sup>®</sup> Impulse Side

From\* **€3,136**

<sup>1</sup>Our driver assistance and safety systems are aids and do not relieve you of your responsibility as the driver. Please take note of the information in the Owner's Manual and the system limits which are described therein

\*Subject to availability and vehicle specification

# TECHNICAL DATA

- Standard

Model		Mercedes-AMG GT 63 S E Performance	Mercedes-AMG GT 63 S 4MATIC+
<b>Engine</b>			
Total displacement	cc	3,982	3,982
Arrangement/cylinders/valves		V/8/32	V/8/32
Electric motor type		AMG High-Performance Battery	-
Battery capacity	kWh	6.1	-
Power <sup>1</sup>	hp (kW) at rpm		
Combustion engine		639 (470)/5,500-6,500	639 (470)/6,500
Electric motor		204 (150)	-
System output		843	-
Torque <sup>1</sup>	Nm at rpm	900/2,500-4,500	900/2,500-4,500
Compression ratio		8.6:1	8.6:1
Emissions standard		Euro 6d-ISC-FCM	Euro 6d-ISC-FCM

## Transmission

AMG SPEEDSHIFT DCT 9-speed sports automatic transmission	●	●
--	---	---

## Performance

Acceleration 0-100 km/h	sec	2.9	3.2
Top speed (electric mode)	mph	315 (130)	315
Charging time			
Home wallbox (1.8kW AC) 10-100% <sup>2,3</sup>		2 hrs 45 mins	-
Wallbox (3.7 kW AC) 10-100% <sup>3</sup>		1 hr 45 mins	-
Range power consumption combined <sup>4,5</sup>	Wh/km	120	-
Electric range - WLTP <sup>4</sup>	km	13	-

<sup>1</sup>Figures according to Directive 80/11269/EEC in the currently applicable version. <sup>2</sup>Specified voltage and current values refer to network infrastructure and can be limited by the vehicle. Times are from 10-100% charge using a wallbox (three-phase) or standard socket (single-phase) <sup>3</sup>If you are planning to charge your Mercedes-Benz plug-in electric vehicle using a 3-pin domestic plug socket you must get a qualified electrician to inspect and sign off the socket to confirm it is safe and suitable to charge your vehicle. Do not use an electric vehicle 3-pin charge cable with an extension cord. <sup>4</sup>The choice of wheels and transmission may affect CO<sub>2</sub> emissions and corresponding Road VRT rate. <sup>5</sup>The indicated values were determined according to the prescribed measurement method - Worldwide Harmonised Light Vehicle Test Procedure (WLTP).

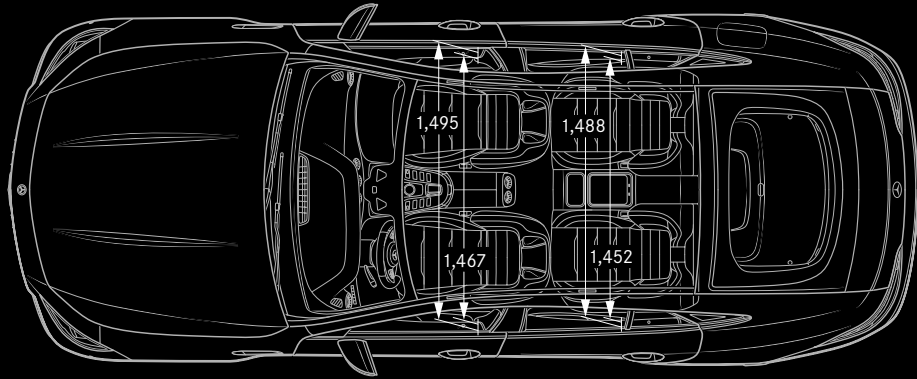
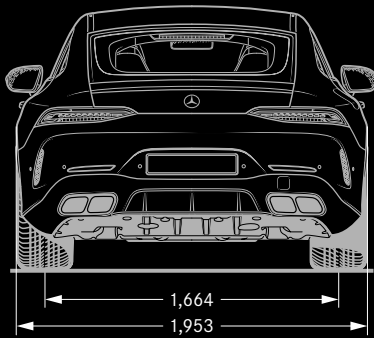
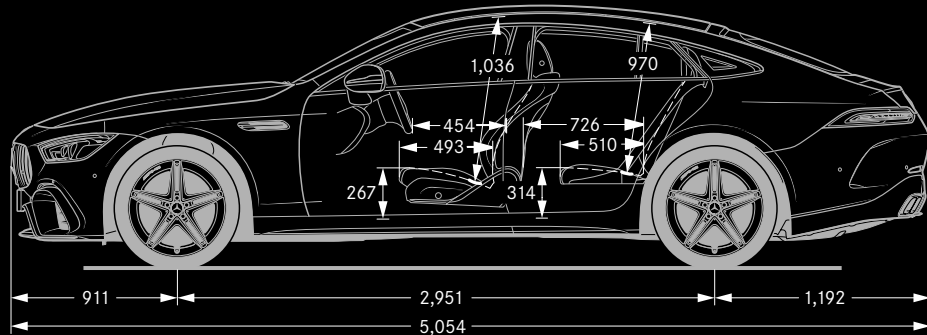
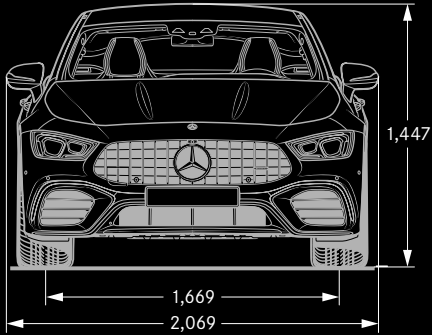
# TECHNICAL DATA

Model		Mercedes-AMG GT 63 S E Performance	Mercedes-AMG GT 63 S 4MATIC+
<b>Weights and capacities</b>			
Kerb weight <sup>6</sup>	kg	2,380	2,135
Perm. Gross Vehicle Weight	kg	2,760	2,560
Boot capacity	l	335	461
Fuel tank capacity/of which reserve	l	73/12	66/10
Turning circle	m	12.2	12.2
<b>Fuel consumption<sup>5,7,8</sup></b>			
Combined (consumption dependent on chosen optional equipment)	l/100 km	7.9	12.5
	mpg	23.5	21.2

<sup>5</sup>The indicated values were determined according to the prescribed measurement method - Worldwide Harmonised Light Vehicle Test Procedure (WLTP). <sup>6</sup>Mass of the vehicle in running order with at least 90% full fuel tank, plus the mass of the driver (estimated by law at 75 kg), fuel and fluids, equipped with the standard equipment as specified by the manufacturer as well as, where applicable, the mass of the body, cab, trailer coupling and spare wheel(s) as well as tools. Optional extras, additional equipment and accessories can influence the weight, residual payload, rolling resistance, aerodynamics, etc., and therefore also affect the consumption/CO<sub>2</sub> value. <sup>7</sup>All figures are based on a standard specification with the smallest tyre size. <sup>8</sup>The choice of wheels and transmission may affect CO<sub>2</sub> emissions and corresponding VRT rate. Figures shown may include options which are not available in Ireland.

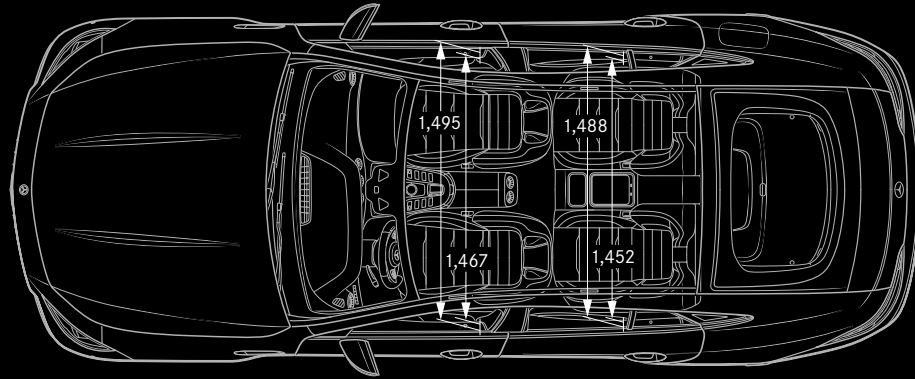
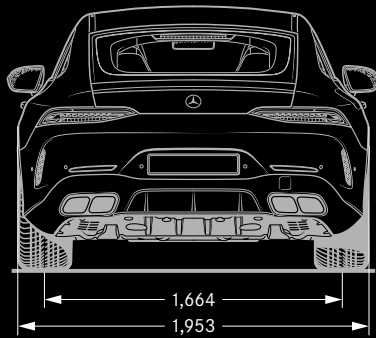
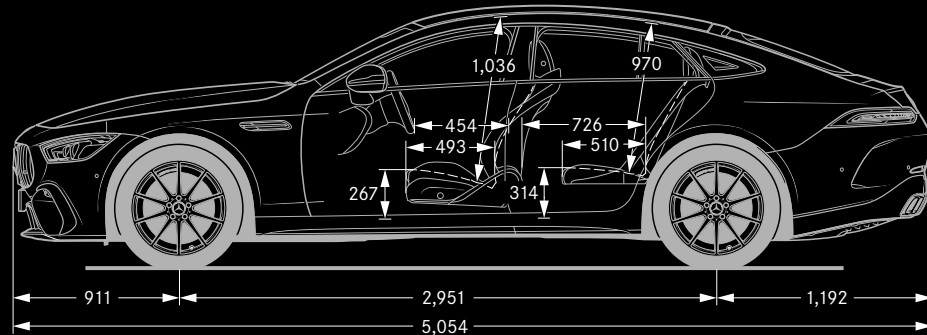
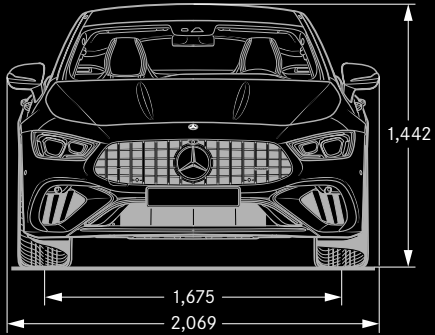


Mercedes-AMG GT 63 S E Performance



All measurements in millimetres. The dimensions shown are mean values and apply to standard-specification, unladen vehicles

# Mercedes-AMG GT 63 S E Performance



All measurements in millimetres. The dimensions shown are mean values and apply to standard-specification, unladen vehicles





# Mercedes me

Welcome to your Mercedes-Benz world.

Imagine if ...you could connect with your Mercedes-Benz? With Mercedes me connect, you can! Mercedes me connect offers you new connectivity services that make driving more comfortable and incorporates your car into your personal lifestyle.

## Standard Services

- Maintenance Management
- Telediagnosics
- Breakdown Management
- Accident Recovery
- Mercedes-Benz Emergency Call System

## Remote Online Services<sup>1</sup>

- Remote Retrieval of Vehicle Status (fuel level, tyre pressure etc.)
- Parked Vehicle Locator
- Vehicle Tracker
- Geofencing
- Door lock / unlock function


<sup>1</sup> Can be used with Remote Online special feature.





Getting connected is easy. Just set up your Mercedes me account and get in touch with your Mercedes-Benz dealer to connect your vehicle to your profile to access your Mercedes me connect services.


Contact your dealer to get connected, or go to [www.mercedes.me](http://www.mercedes.me) for more details.


Follow us on the following social media channels:


 [facebook.com/MercedesBenzIreland](https://facebook.com/MercedesBenzIreland)

 [instagram.com/mercedesbenz\\_ireland](https://instagram.com/mercedesbenz_ireland)

 [linkedin.com/company/motor distributors ltd](https://linkedin.com/company/motor-distributors-ltd)

 [twitter.com/MB\\_IRELAND](https://twitter.com/MB_IRELAND)

 [youtube.com/mercedesbenzireland](https://youtube.com/mercedesbenzireland)

 [pinterest.com/mercedesbenzire](https://pinterest.com/mercedesbenzire)

Motor Distributors Ltd.  
Naas Road  
Dublin 12  
Ireland  
[www.mercedes-benz.ie](http://www.mercedes-benz.ie)

Information correct at time of going to print. Prices and specifications are subject to change without prior notice. Prices quoted do not include dealer and delivery related charges. Images are for illustrative purposes only, actual product may vary. For more specific information in relation to the range of models, features, optional extras, colours and services available please speak to your local authorised Mercedes-Benz dealer.