

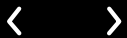


# The new CLE Cabriolet

Price list from 1st January to 31st March 2025

Mercedes-Benz





# Welcome

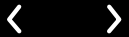
At Mercedes-Benz we appreciate the importance of detail. Over the following pages you'll find model prices and a breakdown of standard and optional equipment, as well as details of the attractive finance offers and benefits that are available to every Mercedes-Benz driver.

We have highlighted some of the best styling features both inside and out, some of the new technology features and some body styling options which all combine to give you a unique driving experience. To experience a full listing of what is available; please speak directly to your local Mercedes-Benz Dealer.

Of course, some things have to be experienced to be truly appreciated, such as the qualities that set a Mercedes-Benz apart, which is why we'd like to invite you for a test drive at your local Mercedes-Benz Dealership. Discover the location and the contact details of your local Mercedes-Benz Dealership at [www.mercedes-benz.ie](http://www.mercedes-benz.ie)

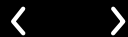


Some of the model features, optional extras and colours shown may not be available, or may only be available in a different specification, or at a different price.



Some of the model features, optional extras and colours shown may not be available, or may only be available in a different specification, or at a different price.





Some of the model features, optional extras and colours shown may not be available, or may only be available in a different specification, or at a different price.

# Model prices

## Petrol

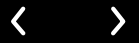
Model Description	CO2	VRT Rate	Road Tax	CC	BHP	Price*
CLE 180 Cabriolet AMG Line Plus	151 - 155	27.50%	€280	1999	170	€84,440
CLE 180 Cabriolet AMG Line Plus	156 - 170	30.00%	€280	1999	170	€87,120
CLE 200 Cabriolet AMG Line Plus	151 - 155	27.50%	€280	1999	204	€90,550
CLE 200 Cabriolet AMG Line Plus	156 - 170	30.00%	€280	1999	204	€93,425
CLE 300 4MATIC Cabriolet AMG Line Plus	156 - 170	30.00%	€420	1999	258	€100,570
CLE 300 4MATIC Cabriolet AMG Line Plus	171 - 190	35.00%	€600	1999	258	€107,395
CLE 450 4MATIC Cabriolet AMG Line Plus	171 - 190	35.00%	€600	2999	381	€121,925
CLE 450 4MATIC Cabriolet AMG Line Plus	191 - 600	41.00%	€790	2999	381	€132,730

## Diesel

Model Description	CO2	VRT Rate	Road Tax	CC	BHP	Price*
CLE 220 D Cabriolet AMG Line Plus	126 - 130	17.50%	€200	1993	197	€82,890
CLE 220 D Cabriolet AMG Line Plus	131 - 135	19.25%	€210	1993	197	€84,510

## AMG Models

Model Description	CO2	VRT Rate	Road Tax	CC	BHP	Price*
Mercedes-AMG CLE 53 4MATIC + Cabriolet	191 - 600	41%	€1,250	2999	449	€149,059



CLE

---

# Technology

# DIGITAL LIGHT

High-definition headlamps with innovative features

The new innovative DIGITAL LIGHT headlamps works like a projector with more than one million pixels per headlamp and responds with brilliant light to changing traffic, road or weather conditions. Its ULTRA RANGE Highbeam with 650 m makes you feel like driving at daylight. DIGITAL LIGHT is also able to provide assistance in the form of messages on the road in front of you.<sup>1</sup>

<sup>1</sup>This additional function depends on local road traffic laws

**Available as part of the Premium Package**

---



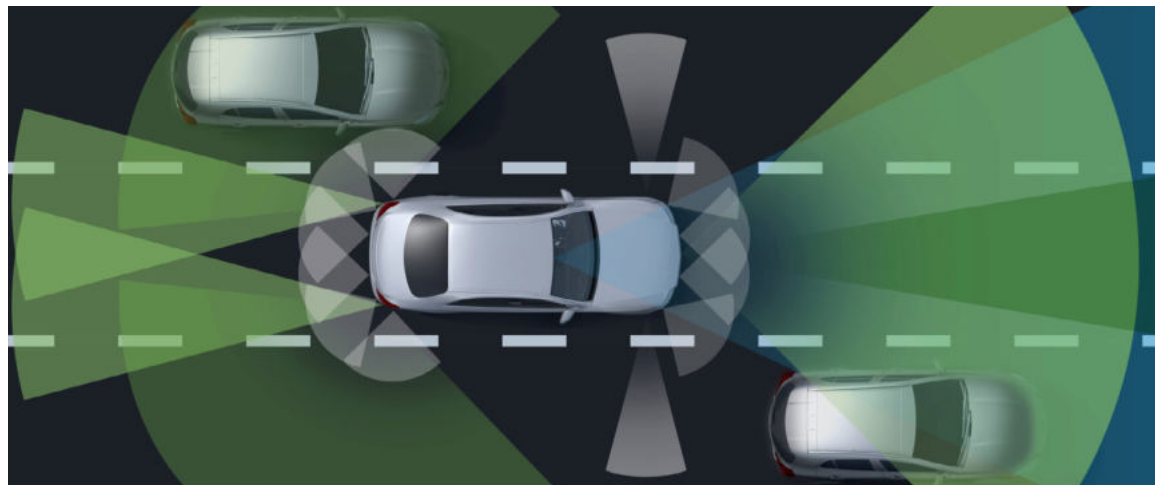


# Driving Assistance package Plus<sup>1</sup>

The Driving Assistance package Plus<sup>1</sup> contains a range of highly intelligent features to help you stay safe on the road – by making the drive more effortless, by warning of danger, and by taking steps to protect you in an emergency.

**Driving Assistance package Plus<sup>1</sup>** (code P20) – designed and priced as a package, including items listed.

from\* €3,755



**Active Blind Spot Assist** can warn the driver of vehicles in the blind spot during a lane change and can help to avoid a collision by means of one-sided braking intervention

**Active Braking Assist with cross-traffic function** can help to avoid accidents with vehicles ahead, crossing traffic and also pedestrians, and/or mitigate their consequences

**Active Distance Assist DISTRONIC** helps maintain the desired distance from the vehicle in front with extended automatic re-start on motorways

**Active Lane Change Assist** supports you by bringing you into the parallel lane if there is space when changing lanes

**Active Speed Limit Assist** ensures detected speed limits are automatically adopted as the set speed for Active Distance Assist DISTRONIC

**Evasive Steering Assist** can support the driver in making evasive manoeuvres if, in a dangerous situation, he/she moves to avoid any pedestrian detected by the system

**PRE-SAFE®** can prepare the occupants for a side-on collision and reduce the risk of injury. Like a bodyguard, it pushes the driver or front passenger away from the danger zone towards the inside

**PRE-SAFE® PLUS** can initiate preventive measures, including warning following traffic and locking the brakes on standstill, when a rear-end collision threatens

<sup>1</sup>Our driver assistance and safety systems are aids and do not relieve you of your responsibility as the driver. Please take note of the information in the Owner's Manual and the system limits which are described therein

\* Subject to vehicle specification and VRT rate.

# Mercedes-Benz User Experience (MBUX)

Transforming the in-car user experience, thanks to MBUX: Controlled via voice or touch input, the innovative infotainment system can over time even predict personal habits thanks to artificial intelligence.

## Voice control

- Activated by the keywords “Hey Mercedes”, the new intelligent voice control LINGUATRONIC<sup>1</sup> lets you control many of the infotainment functions, including destination input, phone calls or music selection
- MBUX is able to understand different accents and will adjust to you over time
- MBUX even understands indirect commands. Feeling chilly? Just say “I feel cold” and MBUX will adjust the temperature for you

## Touch inputs

- Beside voice control you can operate MBUX via touchscreen as well as touch control buttons on the steering wheel

## Personalisation

- Turn the new CLE into your very own Mercedes-Benz by personalising driving modes, radio stations and much more
- Your personal settings can be saved in up to seven different profiles, making your driving experience the best one possible
- Thanks to artificial intelligence, MBUX is able to learn and adapt over time. It will be able to predict your personal habits, such as navigation for frequently-driven routes, or the radio station you like to listen to on your way home from work

## Maintenance and service

- Wondering when the next service is due? Or how much further you can drive until you need to stop at a petrol station? Just ask your MBUX – it will tell you the answer



# Mercedes me connect

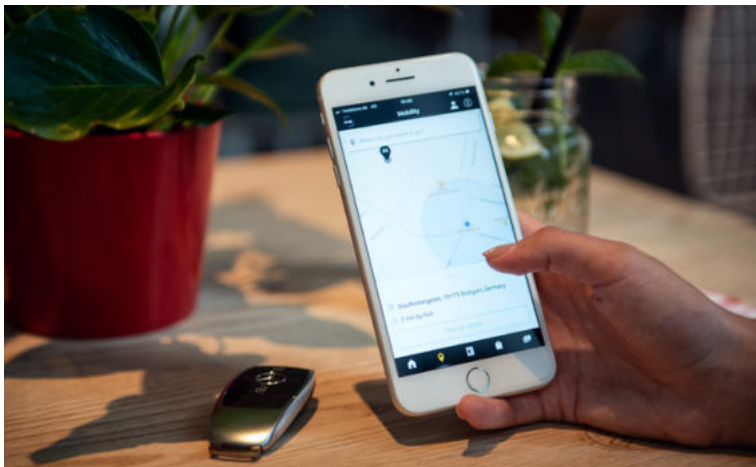
Stay connected any time, anywhere.

# Mercedes *me*

Mercedes me is a range of innovative online services designed to enhance your Mercedes-Benz experience. Accessible via mobile, tablet or PC, Mercedes me lets you enjoy the highest standards of care and support, in a way that integrates seamlessly with your busy lifestyle.

## Safety and Service – Mercedes me connect helps to keep you and your car safe

Check your car's oil level, tyre pressure and fuel from your phone so you'll be ready for every journey.

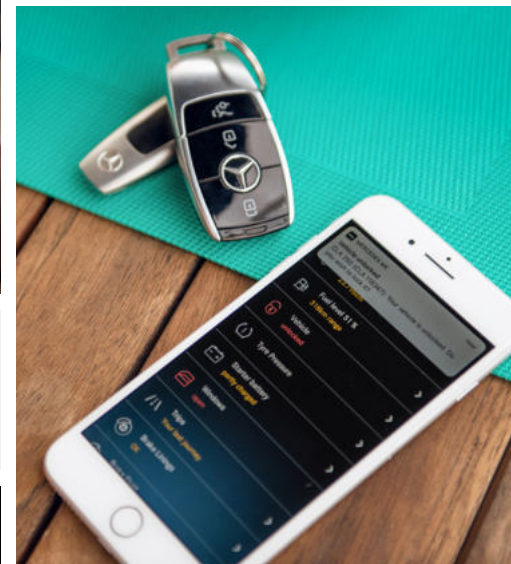


## Live Traffic Information, Parked Vehicle Locator and much more with Mercedes me connect

Forgot where you've parked? Parked Vehicle Locator<sup>1</sup> will show you exactly where your car is as long as you're in a 1.5 km radius of where you parked. Real-time traffic data and dynamic route with shorter journey times.

## Comfort – connect to your car anytime, anywhere

Forgot to lock your car? With Remote Car Lock<sup>2</sup> you will receive a notification on your smartphone to let you know. With one tap, you can lock and unlock your vehicle so you never have to worry.



<sup>1</sup>The connection of the communication module to the mobile phone network including the emergency call system depends on the respective network coverage and availability of network providers

<sup>2</sup>Available on all models with the Vehicle Monitoring package. This option may vary between standard and additional cost dependent on the model

<sup>3</sup>Part of the Vehicle Status package. This option may vary between standard and additional cost dependent on the model

Images shown are for illustration purposes only



< >

# CLE Model lines overview

**AMG Line »**



Option shown: spectral blue metallic



# AMG Line

Standard equipment highlights



Option shown: spectral blue metallic



Option shown: spectral blue metallic

## Engine, Transmission and Suspension

AGILITY CONTROL sports suspension – lowered by 15 mm

DYNAMIC SELECT with a choice of driving modes: 'Eco', 'Comfort', 'Sport', 'Sport+' and 'Individual'

## Wheels

19" AMG multi-spoke light-alloy wheels aerodynamically optimised, painted in black with a high-sheen finish (code RVA)

Some of the model features, optional extras and colours shown may not be available, or may only be available in a different specification, or at a different price

## Exterior

Ambient lighting with projection of brand logo

AMG Line exterior

Blind Spot Assist

LED High-Performance headlamps with Adaptive Highbeam Assist

Mirror package – electrically-folding exterior mirrors and automatically-dimming rear-view mirror

Summer tyres





Memory package

### Interior

Ambient Lighting Premium

AMG Line interior

Illuminated door sill panels with 'Mercedes-Benz' lettering

Interior Light package

KEYLESS-GO

Memory package

Seats – four-way lumbar support

Seats – heated, front

THERMATIC automatic climate control

### Communications and In-Car Entertainment

Fingerprint scanner

Smartphone integration<sup>1</sup> including Apple CarPlay® and Android Auto™

USB package

Wireless charging<sup>1</sup>

<sup>1</sup>Compatible mobile phone required

### Safety and Assistance Systems

Blind Spot Assist

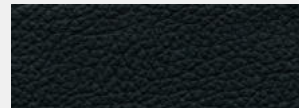
Parking package with reversing camera

Traffic Sign Assist

### Trim and Upholstery

Metal structure trim element (H64)

Artico Leather – black



# Upholstery - Artico Leather

● Standard   □ Option



101 ARTICO leather, black



104 ARTICO leather, tonka brown / black



105 ARTICO leather, beige / black



601 ARTICO leather / microcut microfibre black

\*Please use our online car configurator to ensure the selected upholstery is compatible with your chosen paint colour.

# Upholstery - Leather

● Standard   □ Option



201 leather, black



204 leather, tonka brown / black



205 leather, beige / black



207 leather, power red / black

\*Please use our online car configurator to ensure the selected upholstery is compatible with your chosen paint colour.



# Upholstery - Nappa Leather

- Standard
- Option



801 nappa leather, black



804 nappa leather, tonka brown / black



809 nappa leather, white / black

\*Please use our online car configurator to ensure the selected upholstery is compatible with your chosen paint colour.

# Trim options

● Standard   □ Option



Metal structure trim element (H64) ●



Black open-pore aluminium lines wood trim (H04) □



Brown open-pore walnut wood trim (H33) □



Anthracite linestructure lime wood trim (H08) □



AMG carbon-fibre trim element (H73) □

# Wheel options

● Standard   □ Option



(19-inch) AMG multi-spoke light-alloy wheels, aerodynamically optimised and painted in black with a high-sheen finish **(RVA)**<sup>1</sup> ●



(20-inch) AMG multi-spoke light-alloy wheels, aerodynamically optimised and painted in black with high-sheen rim flange **(RVN)** □



(19-inch) AMG multi-spoke light-alloy wheels, aerodynamically optimised and painted in black with high-sheen rim flange **(RVB)** □



(20-inch)AMG multi-spoke light-alloy wheels, aerodynamically optimised painted in black with a high-sheen finish **(RVM)** □

# Package options

Special equipment Sometimes equipment will be replaced by an upgrade.	Advanced Plus Package always included	Premium Package * From €2,733	Premium Plus Package * From €5,911
USB Package <sup>(?)</sup>	✓	✓	✓
Parking Package with reversing camera <sup>(?)</sup>	✓	×	×
Parking Package with 360° camera <sup>(?)</sup>	×	✓	✓
Adaptive Highbeam Assist <sup>(?)</sup>	✓	✓	✓
MBUX Navigation Premium <sup>(?)</sup>	✓	✓	✓
Central display <sup>(?)</sup>	✓	✓	✓
TIREFIT <sup>(?)</sup>	✓	✓	✓
Mirror Package <sup>(?)</sup>	✓	✓	✓
Preinstallation for digital key transfer <sup>(?)</sup>	✓	✓	✓
Heated front seats <sup>(?)</sup>	✓	✓	✓
Wireless charging system for mobile devices in the front <sup>(?)</sup>	✓	✓	✓
Fabric acoustic soft top <sup>(?)</sup>	✓	✓	✓
Blind Spot Assist	✓	✓	✓
Driver display <sup>(?)</sup>	✓	✓	✓
Ambient lighting <sup>(?)</sup>	✓	✓	✓
Fingerprint scanner <sup>(?)</sup>	✓	✓	✓
Ambient lighting Plus <sup>(?)</sup>	✓	✓	✓
DIGITAL LIGHT <sup>(?)</sup>	×	✓	×
DIGITAL LIGHT with projection function <sup>(?)</sup>	×	×	✓
Burmester® 3D surround sound system <sup>(?)</sup>	×	×	✓
Head-up display <sup>(?)</sup>	×	×	✓

\* Price subject to vehicle specification and VRT rate.



# Colour options

Non-metallic, metallic and MANUFAKTUR paints

● Standard   □ Option



040 black non-metallic



197 obsidian black metallic



970 spectral blue metallic



885 MANUFAKTUR opalite white bright metallic



149 polar white non-metallic



831 graphite grey metallic



914 Sun Yellow



956 MANUFAKTUR alpine grey solid



922 high-tech silver metallic

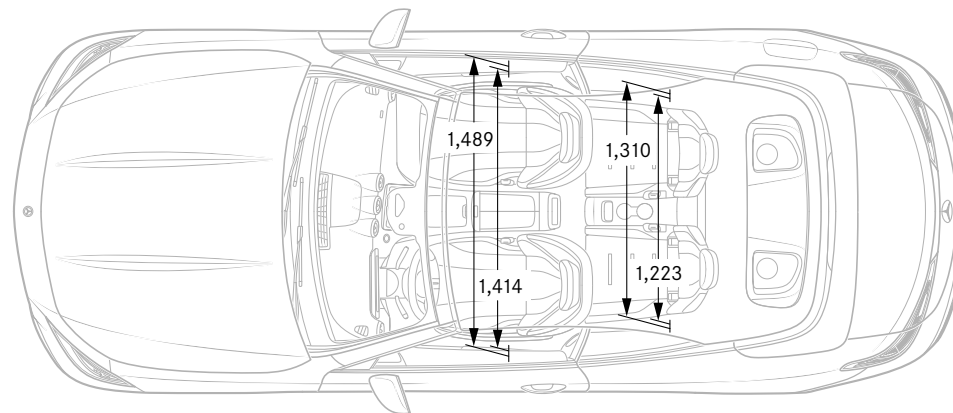
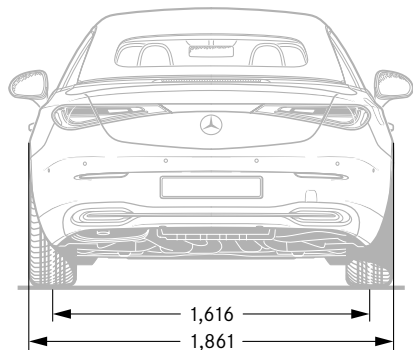
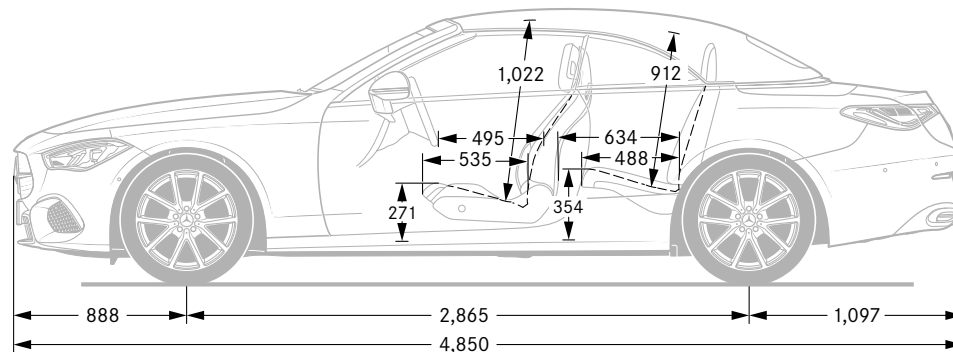
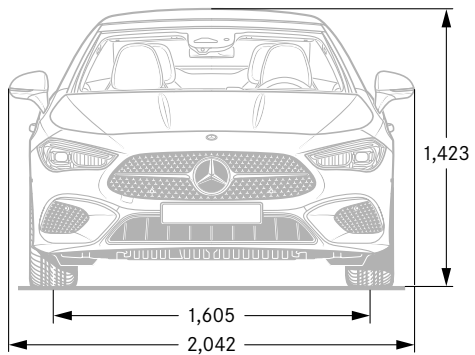


993 MANUFAKTUR patagonia red metallic



Please note that, owing to limitations of on-screen representation, paint colours may differ from those shown

# AMG Line





CLE

Mercedes-AMG

# Mercedes-AMG CLE 53 4MATIC+ Cabriolet

Standard equipment highlights



## Engine, Transmission and Suspension

9G-TRONIC PLUS 9-speed automatic transmission

AMG RIDE CONTROL suspension

Driving modes – AMG DYNAMIC SELECT with a choice of five driving modes (Slippery, Comfort, Sport, Sport+, Individual)

## Exterior

19" AMG 10-spoke light-alloy wheels (Code RRD)

AMG spoiler (Coupé: code U95; Cabriolet: code U47)

Brake callipers – grey painted

Advanced Plus package – including AIRCAP, AIRSCARF and automatic boot separator (Cabriolet only)

Flared wheel arches

Mercedes-AMG exterior

Rear axle steering

Summer tyres



Some of the model features, optional extras and colours shown may not be available, or may only be available in a different specification, or at a different price





### Interior

Floor mats – with 'AMG' lettering

Illuminated door sills with 'AMG' lettering with exchangeable cover

Memory package

Mercedes-AMG interior

Steering wheel – AMG Performance steering wheel in nappa leather with AMG steering wheel buttons

THERMATIC – automatic climate control

### Communications, Safety and Assistance Systems

11.9-inch high-resolution multimedia colour display

12.3-inch digital individually configurable instrument display

Blind Spot Assist

Parking package with 360° camera

Traffic Sign Assist<sup>1</sup>

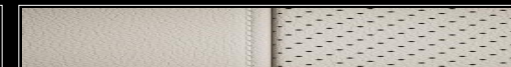
USB package Plus

### Trim and Upholstery

Metal Weave Trim (Code H64)



AMG leather – black



<sup>1</sup>Our driver assistance and safety systems are aids and do not relieve you of your responsibility as the driver. Please take note of the information in the Owner's Manual and the system limits which are described therein

# Mercedes-AMG upholstery



Sports seats shown

**251A AMG leather<sup>1</sup> – black**



AMG Performance Seat package High-End shown is only available as part of the optional AMG Pro Performance package (code **PBZ**)



Sports seats shown

**887A AMG nappa leather<sup>1</sup> – two-tone power red/black** (Only available on CLE Coupé)



AMG Performance Seat package High-End shown is only available as part of the optional AMG Pro Performance package (code **PBZ**)



# Mercedes-AMG upholstery



Sports seats shown



AMG Performance Seat package High-End shown is only available as part of the optional AMG Pro Performance package (code **PBZ**)



Sports seats shown



AMG Performance Seat package High-End shown is only available as part of the optional AMG Pro Performance package (code **PBZ**)

**251A AMG leather<sup>1</sup> – black**

**887A AMG nappa leather<sup>1</sup> – two-tone power red/black** (Only available on CLE Coupé)

# Colour options

Mercedes-AMG variants – non-metallic and metallic paints



040 black non-metallic (Standard)



970 spectral blue metallic



914 sun yellow solid<sup>1</sup>



197 obsidian black metallic

Coupe Exterior Shown Please note that, owing to limitations of on-screen representation, paint colours may differ from those shown



# Colour options Mercedes-AMG variants – MANUFAKTUR paints

○ Optional



885 MANUFAKTUR opalite white bright metallic



993 MANUFAKTUR patagonia red metallic



593 MANUFAKTUR spectral blue magno<sup>1,2</sup>



956 MANUFAKTUR alpine grey solid



818 MANUFAKTUR graphite grey magno<sup>1</sup>

Coupe Exterior Shown

<sup>1</sup>MANUFAKTUR magno matt paint finishes require extra care. Please refer to the Owner's Manual for instructions

Please note that, owing to limitations of on-screen representation, paint colours may differ from those shown

# Acoustic soft top Cabriolet

- Standard



740 Acoustic soft top - black fabric

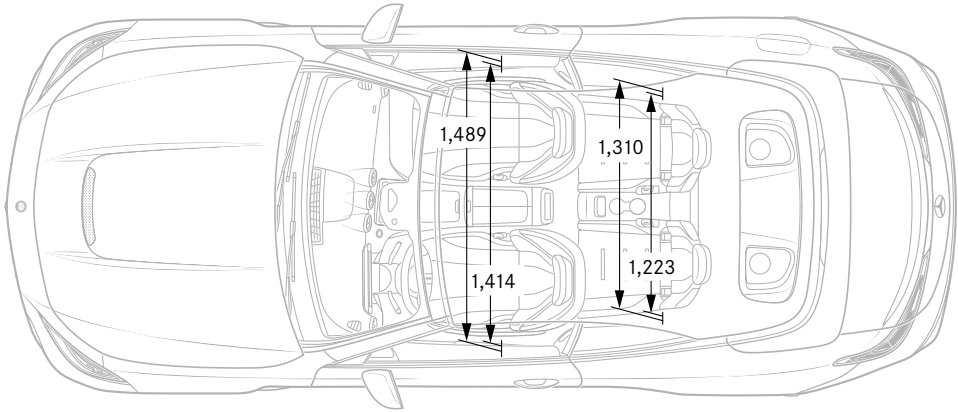
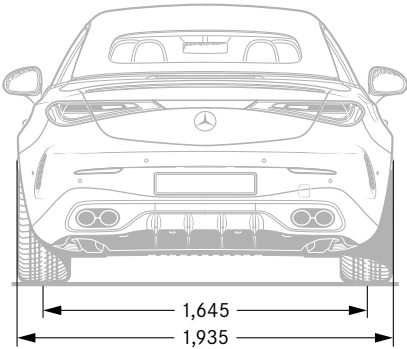
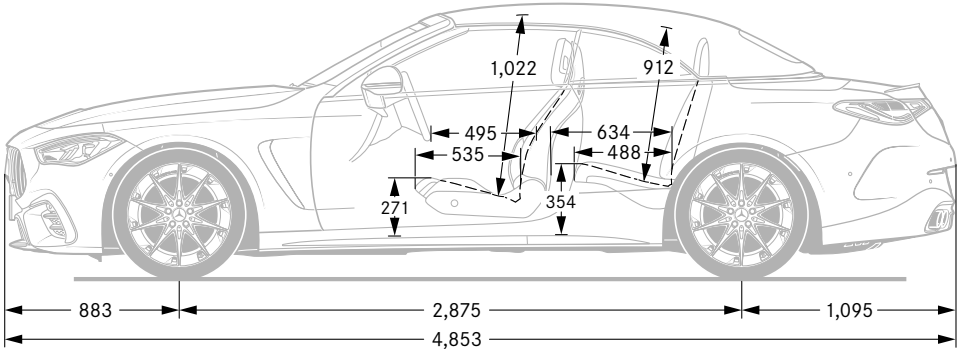
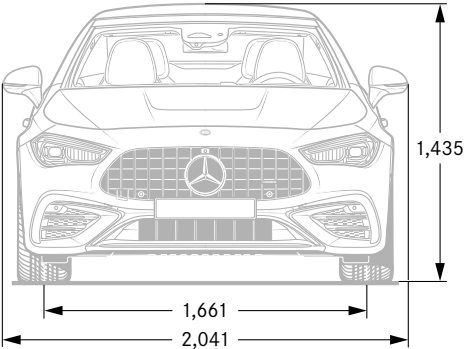


● 747 Acoustic soft top - red fabric



754 Acoustic soft top - Grey fabric

Mercedes-AMG CLE 53 4MATIC+



All measurements in millimetres. The dimensions shown are mean values and apply to standard-specification, unladen vehicles

# Mercedes me

Welcome to your Mercedes-Benz world.

Imagine if ...you could connect with your Mercedes-Benz? With Mercedes me connect, you can! Mercedes me connect offers you new connectivity services that make driving more comfortable and incorporates your car into your personal lifestyle.

## Standard Services

- Maintenance Management
- Telediagnosics
- Breakdown Management
- Accident Recovery
- Mercedes-Benz Emergency Call System

## Remote Online Services<sup>1</sup>

- Remote Retrieval of Vehicle Status (fuel level, tyre pressure etc.)
- Parked Vehicle Locator
- Vehicle Tracker
- Geofencing
- Door lock / unlock function

<sup>1</sup> Can be used with Remote Online special feature.





Getting connected is easy. Just set up your Mercedes me account and get in touch with your Mercedes-Benz dealer to connect your vehicle to your profile to access your Mercedes me connect services.


Contact your dealer to get connected, or go to [www.mercedes.me](http://www.mercedes.me) for more details.





Follow us on the following social media channels:


 [facebook.com/MercedesBenzIreland](https://facebook.com/MercedesBenzIreland)

 [instagram.com/mercedesbenz\\_ireland](https://instagram.com/mercedesbenz_ireland)

 [linkedin.com/company/motor distributors ltd](https://linkedin.com/company/motor-distributors-ltd)

 [twitter.com/MB\\_IRELAND](https://twitter.com/MB_IRELAND)

 [youtube.com/mercedesbenzireland](https://youtube.com/mercedesbenzireland)

 [pinterest.com/mercedesbenzire](https://pinterest.com/mercedesbenzire)

Motor Distributors Ltd.  
Naas Road  
Dublin 12  
Ireland  
[www.mercedes-benz.ie](http://www.mercedes-benz.ie)

Information correct at time of going to print. Prices and specifications are subject to change without prior notice. Prices quoted do not include dealer and delivery related charges. Images are for illustrative purposes only, actual product may vary. For more specific information in relation to the range of models, features, optional extras, colours and services available please speak to your local authorised Mercedes-Benz dealer.