



# The C-Class Saloon and Estate

Price List as of 1st January to 31st March 2025

Mercedes-Benz

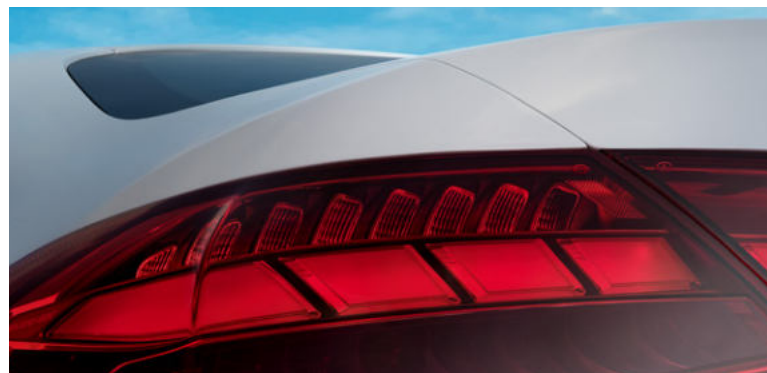
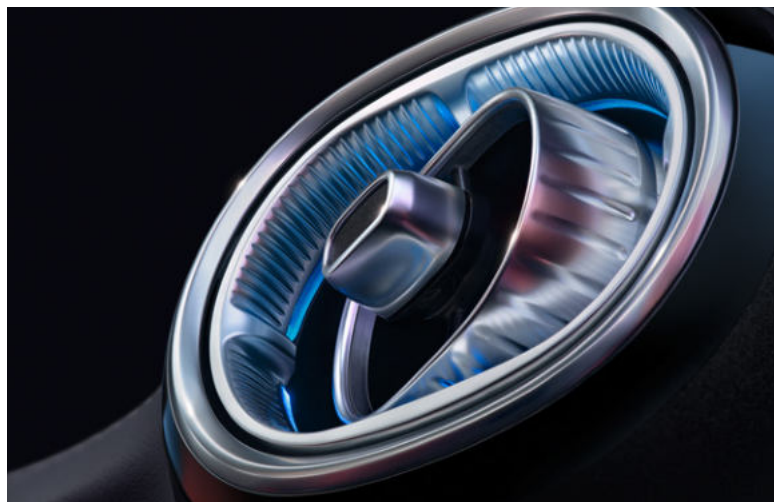


# Welcome

At Mercedes-Benz we appreciate the importance of detail. Over the following pages you'll find model prices and a breakdown of standard and optional equipment, as well as details of the attractive finance offers and benefits that are available to every Mercedes-Benz driver.

We have highlighted some of the best styling features both inside and out, some of the new technology features and some body styling options which all combine to give you a unique driving experience. To experience a full listing of what is available; please speak directly to your local Mercedes-Benz Dealer.

Of course, some things have to be experienced to be truly appreciated, such as the qualities that set a Mercedes-Benz apart, which is why we'd like to invite you for a test drive at your local Mercedes-Benz Dealership. Discover the location and the contact details of your local Mercedes-Benz Dealership at **[www.mercedes-benz.ie](http://www.mercedes-benz.ie)**





# Price List Saloon

## Petrol

Model Description	CO2	VRT Rate	Road Tax	CC	BHP	Price*
C 180 Avantgarde Plus	141 - 145	21.50%	€270	1496	170	€58,610
C 180 Avantgarde Plus	146 - 150	25.00%	€270	1496	170	€61,060
C 180 AMG Line Plus	141 - 145	21.50%	€270	1496	170	€63,219
C 180 AMG Line Plus	146 - 150	25.00%	€270	1496	170	€65,862
C 200 Avantgarde Plus	141 - 145	21.50%	€270	1496	204	€65,190
C 200 Avantgarde Plus	146 - 150	25.00%	€270	1496	204	€67,915
C 200 AMG Line Plus	141 - 145	21.50%	€270	1496	204	€69,799
C 200 AMG Line Plus	146 - 150	25.00%	€270	1496	204	€72,717
C 300 Avantgarde Plus	141 - 145	21.50%	€270	1999	258	€71,250
C 300 Avantgarde Plus	146 - 150	25.00%	€270	1999	258	€74,230
C 300 AMG Line Plus	146 - 150	25.00%	€270	1999	258	€79,032
C 300 AMG Line Plus	151 - 155	27.50%	€280	1999	258	€81,465

## Plug In Hybrid Petrol

Model Description	CO2	VRT Rate	Road Tax	CC	BHP	Price*
C 300 e AMG line Premium	1-50	7.00%	€140	1999	204	€82,125
C 300 e 4MATIC AMG line Premium	1-50	7.00%	€140	1999	204	€84,665
C 400 e 4MATIC AMG Line Premium	1-50	7.00%	€140	1999	252	€89,515

## Plug In Hybrid Diesel

Model Description	CO2	VRT Rate	Road Tax	CC	BHP	Price*
C 300 de AMG Line Premium	1-50	7.00%	€140	1993	197	€84,675
C 300 de 4MATIC AMG Line Premium	1-50	7.00%	€140	1993	197	€87,230

## Mercedes-AMG

Model Description	CO2	VRT Rate	Road Tax	CC	BHP	Price*
Mercedes-AMG C 43 4MATIC	191 - 600	41.00%	€1,250	1991	421	€126,660
Mercedes-AMG C 63 S E PERFORMANCE	156 - 170	30.00%	€420	1991	476	€165,500

\*Prices applicable to all models registered from 1st January to 31st March 2025. Subject to availability. Terms & Conditions apply. Prices quoted do not include dealer and delivery related charges.

Owing to supply shortages, options for vehicles may be temporarily restricted, resulting in modified vehicle and/or package pricing. Regularly updated information on this issue is available from Mercedes-Benz

# Price List Saloon

## Diesel

Model Description	CO2	VRT Rate	Road Tax	CC	BHP	Price*
C 200 D AMG Line Plus Edition	116 - 120	16.00%	€190	1993	163	€59,360
C 200 D AMG Line Plus Edition	121 - 125	16.75%	€200	1993	163	€59,840
C 200 D AMG Line Plus Edition	121 - 125	17.50%	€200	1993	163	€59,840
C 200 D Avantgarde Plus	116 - 120	16.00%	€190	1993	163	€59,695
C 200 D Avantgarde Plus	121 - 125	16.75%	€200	1993	163	€60,185
C 220 D Avantgarde Plus	116 - 120	16.00%	€190	1993	200	€63,955
C 220 D Avantgarde Plus	121 - 125	16.75%	€200	1993	200	€64,475
C 220 D AMG Line Plus	116 - 120	16.00%	€190	1993	200	€68,291
C 220 D AMG Line Plus	121 - 125	16.75%	€200	1993	200	€68,846
C 300 D Avantgarde Plus	126 - 130	17.50%	€200	1993	265	€72,160
C 300 D Avantgarde Plus	131 - 135	19.25%	€210	1993	265	€73,570
C 300 D AMG Line Plus	126 - 130	17.50%	€200	1993	265	€76,567
C 300 D AMG Line Plus	131 - 135	19.25%	€210	1993	265	€78,063

\*Prices applicable to all models registered from 1st January to 31st March 2025. Subject to availability. Terms & Conditions apply. Prices quoted do not include dealer and delivery related charges.

Owing to supply shortages, options for vehicles may be temporarily restricted, resulting in modified vehicle and/or package pricing . Regularly updated information on this issue is available from Mercedes-Benz

# Price List Estate

## Petrol

Model Description	CO2	VRT Rate	Road Tax	CC	BHP	Price*
C 200 Estate Avantgarde Plus	146 - 150	25.00%	€270	1496	204	€69,365
C 200 Estate Avantgarde Plus	151 - 155	27.50%	€280	1496	204	€71,505
C 200 Estate AMG Line Plus	146 - 150	25.00%	€270	1496	204	€74,167
C 200 Estate AMG Line Plus	151 - 155	27.50%	€280	1496	204	€76,455
C 300 Estate Avantgarde Plus	146 - 150	25.00%	€270.00	1999	258	€75,480
C 300 Estate Avantgarde Plus	151 - 155	27.50%	€280.00	1999	258	€77,810
C 300 Estate AMG Line Plus	146 - 150	25.00%	€270.00	1999	258	€80,282
C 300 Estate AMG Line Plus	151 - 155	27.50%	€280.00	1999	258	€82,760

## Plug In Hybrid

Model Description	CO2	VRT Rate	Road Tax	CC	BHP	Price*
C 300 e Estate AMG Line Premiun	1 - 50	7.00%	€140	1999	204	€85,955
C 300 e Estate AMG Line Premiun	51 - 80	9.00%	€150	1999	204	€87,685
C 300 de Estate AMG Line Premiun	1 - 50	7.00%	€140	1993	197	€88,505
C 300 de 4MATIC Estate AMG Line Premiun	1 - 50	7.00%	€140	1993	197	€91,060

\*Prices applicable to all models registered from 1st January to 31st March 2025. Subject to availability. Terms & Conditions apply. Prices quoted do not include dealer and delivery related charges.

Owing to supply shortages, options for vehicles may be temporarily restricted, resulting in modified vehicle and/or package pricing . Regularly updated information on this issue is available from Mercedes-Benz

# Price List Estate

## Diesel

Model Description	CO2	VRT Rate	Road Tax	CC	BHP	Price*
C 220 D Estate Avantgarde Plus	121 - 125	16.75%	€200	1993	197	€65,735
C 220 D Estate Avantgarde Plus	126 - 130	17.50%	€200	1993	197	€66,280
C 220 D Estate AMG Line Plus	121 - 125	16.75%	€200	1993	197	€70,106
C 220 D Estate AMG Line Plus	126 - 130	17.50%	€200	1993	197	€70,687
C 300 D Estate Avantgarde Plus	131 - 135	19.25%	€210	1993	265	€74,700
C 300 D Estate Avantgarde Plus	136 - 140	20.00%	€210.00	1993	265	€75,335
C 300 D Estate AMG Line Plus	131 - 135	19.25%	€210.00	1993	265	€79,193
C 300 D Estate AMG Line Plus	136 - 140	20.00%	€210.00	1993	265	€79,866
C 220 D 4MATIC All Terrain Estate Avantgarde Plus	126 - 130	17.50%	€200.00	1993	197	€72,330
C 220 D 4MATIC All Terrain Estate Avantgarde Plus	131 - 135	19.25%	€210.00	1993	197	€73,750

## Mercedes-AMG

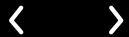
Model Description	CO2	VRT Rate	Road Tax	CC	BHP	Price*
Mercedes-AMG C43 4MATIC Estate	191+	41.00%	€1,250	1991	421	€127,550
Mercedes-AMG C63 S e PERFORMANCE Estate	156-170	30.00%	€420	1991	476	€168,990

\*\* C63 Engine 476 HP + Electric Motor 204 HP . System Output 680 HP

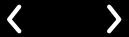
\*Prices applicable to all models registered from 1st January to 31st March 2025. Subject to availability. Terms & Conditions apply. Prices quoted do not include dealer and delivery related charges.

Owing to supply shortages, options for vehicles may be temporarily restricted, resulting in modified vehicle and/or package pricing . Regularly updated information on this issue is available from Mercedes-Benz





Some of the model features, optional extras and colours shown may not be available, or may only be available in a different specification, or at a different price.



Some of the model features, optional extras and colours shown may not be available, or may only be available in a different specification, or at a different price.





Some of the model features, optional extras and colours shown may not be available, or may only be available in a different specification, or at a different price.



Some of the model features, optional extras and colours shown may not be available, or may only be available in a different specification, or at a different price.

< >

C-Class

# Technology

A close-up, low-angle shot of the Mercedes-Benz C-Class interior. The image highlights the dashboard and center console area, featuring a sleek, modern design with prominent blue accents. The dashboard includes a digital instrument cluster on the left and a large central touchscreen. The center console has three circular air vents with blue surrounds. The background shows a bright blue sky and a red architectural element, suggesting an outdoor setting.

# Mercedes-Benz User Experience (MBUX)

Transforming the in-car user experience, thanks to MBUX: Controlled via voice or touch input, the innovative infotainment system can over time even predict personal habits thanks to artificial intelligence.



## Voice control

- Activated by the keywords “Hey Mercedes”, the new intelligent voice control LINGUATRONIC<sup>1</sup> lets you control many of the infotainment functions, including destination input, phone calls or music selection
- MBUX is able to understand different accents and will adjust to you over time
- MBUX even understands indirect commands. Feeling chilly? Just say “I feel cold” and MBUX will adjust the temperature for you

## Touch inputs

- Beside voice control you can operate MBUX via touchscreen, the touchpad on the centre console, as well as touch control buttons on the steering wheel
- The touchpad recognises your handwriting should you wish to enter addresses or phone numbers silently

## Personalisation

- Turn the new C-Class into your very own Mercedes-Benz by personalising driving modes, radio stations and much more
- Your personal settings can be saved in up to seven different profiles, making your driving experience the best one possible
- Thanks to artificial intelligence, MBUX is able to learn and adapt over time. It will be able to predict your personal habits, such as navigation for frequently-driven routes, or the radio station you like to listen to on your way home from work

## Maintenance and service

- Wondering when the next service is due? Or how much further you can drive until you need to stop at a petrol station? Just ask your MBUX – it will tell you the answer

<sup>1</sup>LINGUATRONIC off-board functions are currently only available for three years

# Mercedes me connect

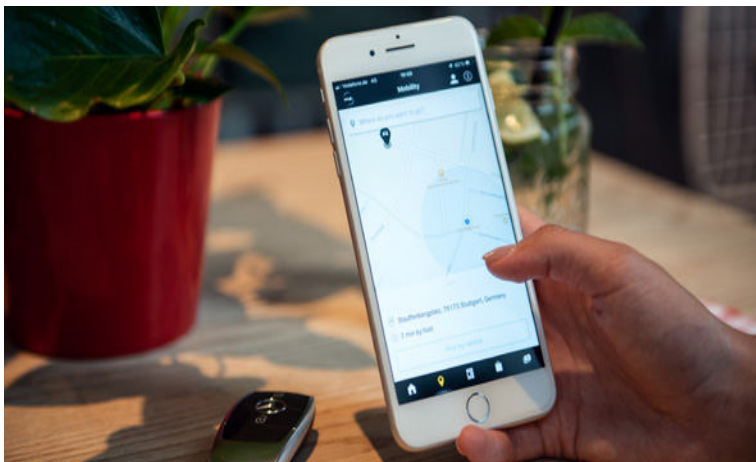
Stay connected any time, anywhere.

# Mercedes *me*

Mercedes me is a range of innovative online services designed to enhance your Mercedes-Benz experience. Accessible via mobile, tablet or PC, Mercedes me lets you enjoy the highest standards of care and support, in a way that integrates seamlessly with your busy lifestyle.

## Safety and Service – Mercedes me connect helps to keep you and your car safe

Check your car's oil level, tyre pressure and fuel from your phone so you'll be ready for every journey.

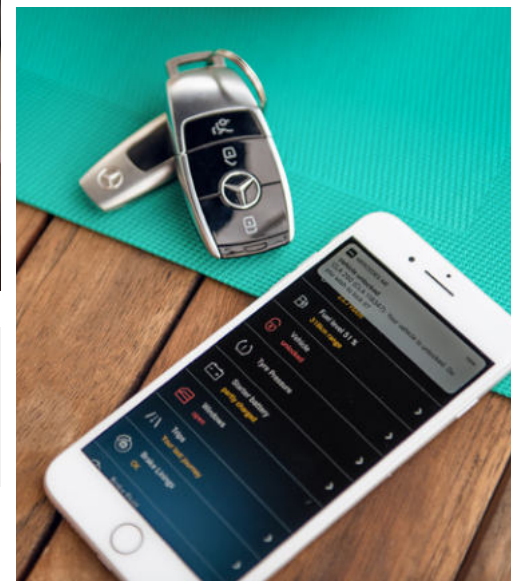


## Live Traffic Information, Parked Vehicle Locator and much more with Mercedes me connect

Forgot where you've parked? Parked Vehicle Locator<sup>1</sup> will show you exactly where your car is as long as you're in a 1.5 km radius of where you parked. Real-time traffic data and dynamic route with shorter journey times.

## Comfort – connect to your car anytime, anywhere

Forgot to lock your car? With Remote Car Lock<sup>2</sup> you will receive a notification on your smartphone to let you know. With one tap, you can lock and unlock your vehicle so you never have to worry.



<sup>1</sup>Available on all models with the Vehicle Monitoring package. This option may vary between standard and additional cost dependent on the model

<sup>2</sup>Part of the Vehicle Status package. This option may vary between standard and additional cost dependent on the model

Images shown are for illustration purposes only



# C-Class Model lines overview

Avantgarde Saloon »



Option shown: cavansite blue metallic (code 890)

Avantgarde Estate »



Option shown: cavansite blue metallic (code 890)

AMG Line Saloon »



Option shown: spectral blue metallic (code 970)

AMG Line Estate »



Option shown: spectral blue metallic (code 970)

# C-Class Avantgarde Standard equipment highlights



Option shown: cavansite blue metallic (code 890)



Option shown: cavansite blue metallic (code 890)

## Exterior

---

17" alloy wheels – 5-spoke design, painted black with a high-sheen finish (code R69)

---

AGILITY CONTROL suspension, lowered by 15mm with selective damping

---

Cruise control

---

DYNAMIC SELECT

---

Exhaust pipes – non-visible exhaust pipes

---

Front bumper with dynamic design with chrome trims and air intakes in black

---

LED High Performance headlamps

---

Powerdomes on bonnet

---

Rear bumper painted in vehicle colour with centrally positioned trim (wing) in mirror chrome

---

Windscreen wipers with rain sensor

---





### Interior

Dashboard in black

Double cupholder

Floor mats – velour

KEYLESS-GO starting function

Interior Lighting package – lighting of footwells, door handle recesses, as well as rear reading lamps (LED) and courtesy lamps in all doors

Load compartment cover including EASY-PACK safety net (Estate models only)

Mirror package

Seat Comfort package – driver and front passenger seat. Electro-pneumatic four-way lumbar support and manual seat cushion depth adjustment (6 cm)

Seats – folding rear seat backrest

Seats – four-way lumbar support

Seats – heated front seats

Stowage Space package

THERMATIC automatic climate control with two climate zones



MBUX Navigator Plus



Fingerprint sensor

### Communications, Safety and Assistance Systems

11.9-inch high-resolution multimedia colour display

12.3-inch digital instrument cluster display

Active Brake Assist

Active Lane-Keeping Assist

Fingerprint sensor

MBUX extended functions

MBUX multimedia system

MBUX Navigation Premium

Parking package with reversing camera

Smartphone integration<sup>1</sup>

Wireless charging<sup>1</sup> system for mobile devices in the front



Double cup holder and wireless charging<sup>1</sup> system for mobile devices in the front

### Trim and Upholstery

Silver grey diamond pattern trim

Artico Leather – black



<sup>1</sup>Compatible mobile phone required

# C-Class AMG Line

## Standard equipment highlights

Option shown: spectral blue metallic (code 970)



Option shown: spectral blue metallic (code 970)



In addition to/replacement of Sport:

### Engine, Transmission and Suspension

Sports suspension with selective damping system, lowered by 15 mm including Sports Direct Steer system

### Exterior

18" AMG alloy wheels – 5-spoke design, aerodynamically optimised, painted tantalite grey with a high-sheen finish (code RSJ)

AMG front bumper with sporty air intakes and chrome elements

AMG rear bumper with high-gloss chrome elements

Braking system with larger brake discs on the front axle

Exhaust pipes – two visible exhaust pipes integrated into rear bumper

LED High Performance headlamps

Radiator grille with Mercedes-Benz pattern and integral Mercedes star as well as louvre in matte iridium silver with chrome inserts





Multifunction sports steering wheel in nappa leather and metal-weave trim

#### Interior

AMG floor mats

Dashboard in ARTICO man-made leather

Sports pedals in brushed stainless steel with rubber studs

Multifunction sports steering wheel in nappa leather

#### Trim and Upholstery

Metal-weave trim



Artico Leather - black



# Upholsteries

## Avantgarde



Artico Black (101A) Standard



Artico Sienna Brown/Black (104A)  
Optional



Artico Macchiato Beige/Black (105A)  
Optional



Leather Lugano Black (201A)  
Optional



Leather Lugano Macchiato Beige/Black (205A)  
Optional

# Upholsteries

## AMG Line



Artico Black (111A) Standard



Artico Sienna Brown/Black (194A)  
Optional



Artico Neva Grey/Black (118A) Optional



Leather Lugano Black (211A)  
Optional



Leather Lugano Sienna Brown/Black (294A)  
Optional



Leather Lugano Power Red/Black (297A)  
Optional

# Upholsteries

## Nappa Leather



Nappa Leather Black (801A) Optional  
Available for Avantgarde & AMG line



Nappa Leather Sienna Brown/Black (804A) Optional  
Available for Avantgarde & AMG line



# Trim options



Silver grey diamond-pattern trim (H50)  
Standard for Avantgarde



Metal-weave trim (H64)  
Standard for AMG-Line



Brown high-gloss ash wood trim (H03)  
Optional



Black open-pore aluminum lines wood trim (H04)  
Optional



Brown open-pore walnut wood trim (H33)  
Optional



Anthracite linestructure lime wood trim (H08)  
Optional

# Wheel options

17"



**R69 (Avantgarde Standard)**  
5-spoke light-alloy wheels painted black with high-shine finish.  
*Avantgarde Only*



**R24 (Optional)**  
5-spoke light-alloy wheels painted vanadium silver.  
*Avantgarde Only*



**R15 (Optional)**  
10-twin-spoke light-alloy wheels painted vanadium silver.  
*Avantgarde Only*

18"



**R32 (Optional)**  
5-spoke light-alloy wheels high-shine finish.  
*Avantgarde Only*



**R86 (Optional)**  
multi-spoke light-alloy wheels painted black with high-shine finish.  
*Avantgarde Only*



**R87 (Optional)**  
5-twin-spoke light-alloy wheels painted black with high-shine finish.  
*Avantgarde Only*



**RSJ (AMG Line Standard)**  
AMG 5-spoke light-alloy wheels, painted tantalite grey with high-shine finish.



**RSK (Optional)**  
AMG 5-spoke light-alloy wheels painted black with high-shine finish.  
*Night Package Only*

# Wheel options

19"



**R82 (Optional)**  
5-spoke light-alloy wheels high-sheen finish.  
*Avantgarde Only*



**RVA (Optional)**  
AMG multi-spoke light-alloy wheels himalayas grey with a high-sheen finish.



**RVC (Optional)**  
AMG multi-spoke light-alloy wheels painted black with high-sheen finish.



**RVD (Optional)**  
AMG 5-twin-spoke light-alloy wheels, painted black with high-sheen finish.

# Colour options

Non-metallic, metallic and designo paints

● Standard    ✕ Optional



197 Black non-metallic

●



831 Graphite Grey metallic

✕



197 Obsidian Black metallic

✕



996 MANUFAKTUR Patagonia Red

✕



197 Polar White non-metallic

✕



922 High-tech Silver metallic

✕



992 Selenite Grey metallic

✕



885 MANUFAKTUR Opalite White metallic

✕



970 Spectral Bue metallic

✕



970 Sodalite Blue metallic

✕



818 MANUFAKTUR Graphite Grey magno

✕

Please note that, owing to limitations of on-screen representation, paint colours may differ from those shown

# Premium Package From<sup>1</sup> €3,544

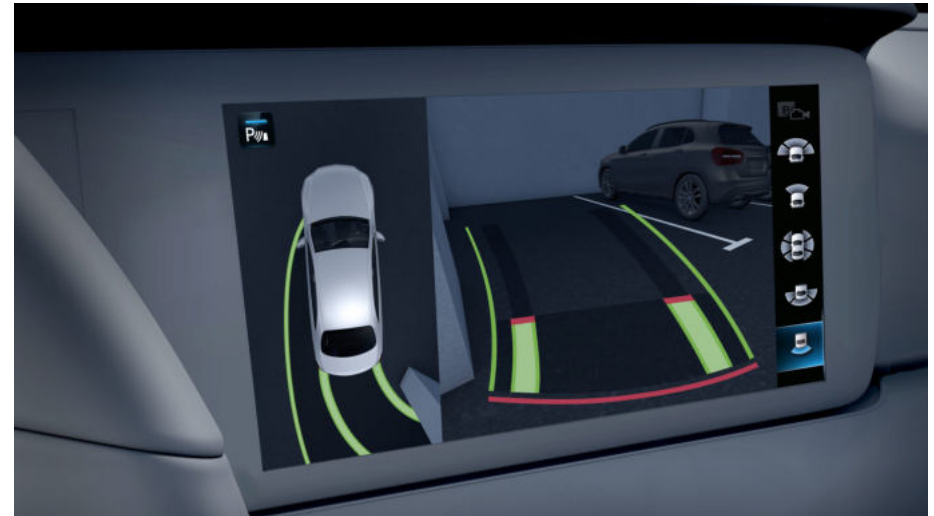
## Digital Light

Lighting adapted to the driving situation for relaxed and safe driving: DIGITAL LIGHT constantly adapts the illumination of the road to the lighting conditions, the traffic situation, the course of the road and the weather.

## Keyless GO Comfort Package

Maximum comfort for your day-to-day motoring: with the KEYLESS-GO Convenience Package, you can unlock, start and lock your vehicle simply by carrying the key.

## Parking Package with 360° Camera



<sup>1</sup>Price and availability subject to vehicle specification and VRT rate.  
Owing to supply shortages, options for vehicles may be temporarily restricted, resulting in modified vehicle and/or package pricing. Regularly updated information on this issue is available from Mercedes-Benz dealers.

# Premium Plus Package From<sup>1</sup> €9,668

In addition to/replacement of Premium Package components

Burmester® 3D surround sound system with 15 speakers and a system output of 710 watts

## Digital Light with Projection Function

With DIGITAL LIGHT, you can experience brilliant lighting conditions, this HD system works like a projector and responds with constantly adapted light to changing traffic, road or weather conditions. There are more than 1.3 million pixels per headlamp.

## Head Up Display

Ideal prospects for sporty driving fun and a superior driving experience: the head-up display transforms your windscreen into an exciting digital cockpit. This means you always have a direct view of key information. Your full attention remains on the road. and the traffic conditions in front of you.

## Panoramic Sunroof

Whether open or closed: the panoramic sliding sunroof gives you a wonderful feeling of freedom and a bright and pleasant ambience in the interior. When viewed from the outside, the large sliding sunroof likewise makes a unique visual impression, as it lends lightness and exclusivity to the exterior.

## Thermotronic 4 Zone Climate Control

Driver, front and rear passengers can regulate the climate comfort to suit their personal needs.



<sup>1</sup>Price and availability subject to vehicle specification and VRT rate.

Owing to supply shortages, options for vehicles may be temporarily restricted, resulting in modified vehicle and/or package pricing. Regularly updated information on this issue is available from Mercedes-Benz dealers.

# Night Package

From<sup>1</sup> €764

The Night Package adds attractive features: many exterior elements are finished in black. They underscore the sporty character and special individuality of your vehicle. And as such you can demonstrate your sense of expressive design and exclusive sportiness.

## Radiator grille:

- AMG Line Exterior: radiator grille with Mercedes-Benz pattern with pins in high-gloss black
- AVANTGARDE Exterior: louvres in high-gloss black and trim in mirror chrome

## Light-alloy wheels:

- AMG Line Exterior: 18" AMG 5-spoke light-alloy wheels in high-gloss black with high-sheen finish
- AVANTGARDE Exterior: 17" light-alloy wheels

## Front apron:

- AMG Line Exterior: AMG front apron with trim (wing) in high-gloss black
- AVANTGARDE Exterior: with trim (wing) in high-gloss black

Rear bumper with trim (wing) in high-gloss black

Beltline trim strip and window weatherstrip in high-gloss black

Exterior mirror housings painted high-gloss black

Heat-insulating, dark-tinted glass at rear (from B-pillar)

Roof rails in black (only available for the Estate model)



Option shown: 19-inch AMG 5-twin-spoke light-alloy wheels (RVD), Night package, AMG Line

<sup>1</sup>Price and availability subject to vehicle specification and VRT rate.

Owing to supply shortages, options for vehicles may be temporarily restricted, resulting in modified vehicle and/or package pricing. Regularly updated information on this issue is available from Mercedes-Benz dealers.

# Trailer coupling with ESP® trailer stabilisation

From<sup>1</sup>  
€1,814

Expand your transport options: with this practical equipment you can hitch up both trailers or caravans and also mount cycle racks. The trailer coupling is ready for use in no time at all – and can be folded in again behind the rear bumper just as quickly when it is no longer needed.

Operating safety is the top priority: to fold out the trailer coupling, you must first unlock it via the control button in the boot. As soon as the button light goes out, the trailer coupling is correctly engaged and is therefore ready for use.

Even when driving you can benefit from a comprehensive safety concept: the ESP® trailer stabilisation is able to intervene automatically in critical situations when driving with a trailer. The associated sensor system detects the trailer independently as soon as the electric plug is connected to your vehicle.

The ESP® stabilisation functions are automatically active from a speed of 65 km/h. When undesired oscillating motions are detected, the Trailer Stability Assist actively dampens these with the aid of alternate brake actuation of each individual wheel. In most cases this is already sufficient to reduce dangerous oscillations. If necessary, the system additionally reduces the speed: for this, the engine torque is reduced and the vehicle is braked via all four wheels.



<sup>1</sup>Price and availability subject to vehicle specification and VRT rate.  
Owing to supply shortages, options for vehicles may be temporarily restricted, resulting in modified vehicle and/or package pricing. Regularly updated information on this issue is available from Mercedes-Benz dealers.



# Technical data Saloon

- Standard

Model		C 220 d	C 300 d	C 200	C 300
<b>Engine</b>					
Fuel delivery		Diesel	Diesel	Petrol	Petrol
Total displacement	cc	1,993	1,993	1,496	1,999
Arrangement/cylinders/valves		in-line/4/16	in-line/4/16	in-line/4/16	in-line/4/16
Power <sup>1</sup>	hp (kW) at rpm	200 (147)/4,200	265 (195)/4,200	204 (150)/5,800–6,100	258 (190)/5,800
Torque <sup>1</sup>	Nm at rpm	440/1,800–2,800	550/1,800–2,200	300/1,800–4,000	400/2,000–3,200
Compression ratio		15.5:1	15.5:1	10.5:1	10.0:1
Emissions standard		EURO 6D-ISC-FCM	EURO 6D-ISC-FCM	EURO 6D-ISC-FCM	EURO 6D-ISC-FCM
<b>Transmission</b>					
9G-TRONIC PLUS 9-speed automatic		●	●	●	●
<b>Performance</b>					
Acceleration 0–100 km/h	sec	7.3	5.7	7.3	6.0
Top speed	km/h	245	250	246	250
<b>Weights and capacities</b>					
Kerb weight <sup>2</sup>	kg	1,755	1,775	1,650	1,675
Perm. Gross Vehicle Weight	kg	2,380	2,380	2,265	2,280
Boot capacity – seats up	l	455	455	455	455
Towing capacity – unbraked/braked	kg	750/1,800	750/1,800	750/1,800	750/1,800
Fuel tank capacity/of which reserve	l	66/7	66/7	66/7	66/7
Turning circle	m	11.07	11.07	11.07	11.07

<sup>1</sup>Figures according to Directive 80/1269/EEC in the currently applicable version    <sup>2</sup>Mass of the vehicle in running order with at least 90% full fuel tank, plus the mass of the driver (estimated by law at 75kg), fuel and fluids, equipped with the standard equipment as specified by the manufacturer as well as, where applicable, the mass of the body, cab, trailer coupling and spare wheel(s) as well as tools. Optional extras, additional equipment and accessories can influence the weight, residual payload, rolling resistance, aerodynamics, etc., and therefore also affect the consumption/CO<sub>2</sub> values

# Technical data Saloon

Model		C 220 d	C 300 d	C 200	C 300
<b>Fuel consumption<sup>3,4,5</sup></b>					
Combined (consumption dependent on chosen optional equipment)	l/100 km	4.8-4.6	5.3-5.1	6.8-6.4	7.0-6.7

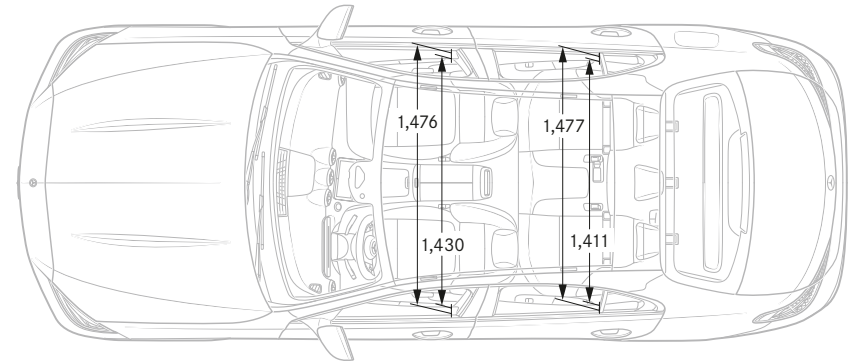
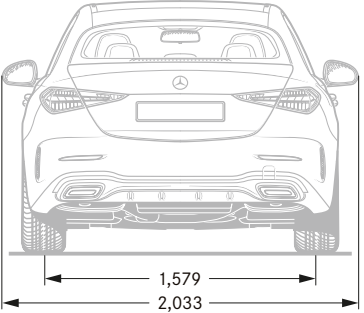
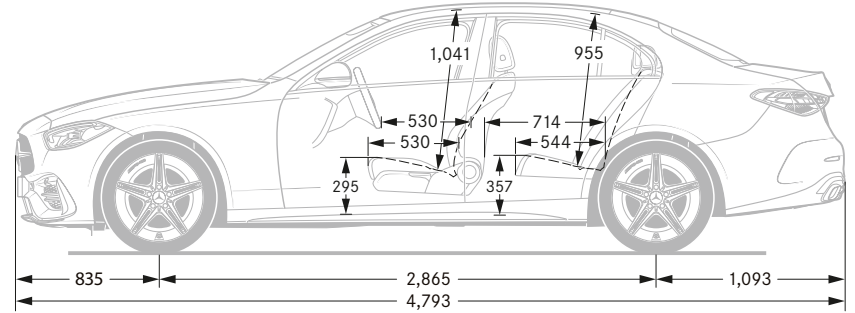
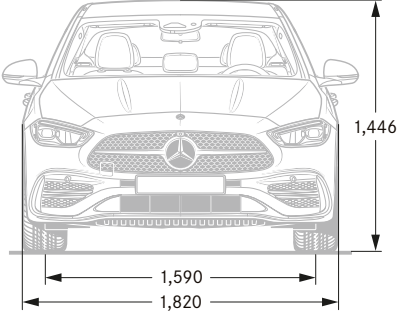


<sup>3</sup>All figures are based on a standard specification with the smallest tyre size available in Ireland

<sup>4</sup>The choice of wheels and transmission may affect CO<sub>2</sub> emissions and corresponding Road Fund Licence

<sup>5</sup>The indicated values were determined according to the prescribed measurement method - Worldwide Harmonised Light Vehicle Test Procedure (WLTP). Figures shown may include options which are not

Progressive/AMG Line



# Technical data Estate

- Standard

Model	C220d	C300d	C200
<b>Engine</b>			
Fuel delivery	Diesel	Diesel	Petrol
Total displacement	cc 1,993	1,993	1,496
Arrangement/cylinders/valves	in-line/4/16	in-line/4/16	in-line/4/16
Power <sup>1</sup>	hp (kW) at rpm 200 (147)/4,200	265 (195)/4,200	204 (150)/5,800–6,100
Torque <sup>1</sup>	Nm at rpm 440/1,800–2,800	550/1,800–2,200	300/1,800–4,000
Compression ratio	15.5:1	15.5:1	10.5:1
Emissions standard	EURO 6D-ISC-FCM	EURO 6D-ISC-FCM	EURO 6D-ISC-FCM

<b>Transmission</b>			
9G-TRONIC PLUS 9-speed automatic	●	●	●

<b>Performance</b>			
Acceleration 0–62 mph	sec 7.4	5.8	7.5
Top speed	kph 242	250	240

<b>Weights and capacities</b>			
Kerb weight <sup>2</sup>	kg 1,815	1,835	1,710
Perm. Gross Vehicle Weight	kg 2,400	2,400	2,325
Boot capacity – seats up/seats down	l 490/1,510	490/1,510	490/1,510
Towing capacity – unbraked/braked	kg 750/1,800	750/1,800	750/1,800
Fuel tank capacity/of which reserve	l 66/7	66/7	66/7
Turning circle	m 11.07	11.07	11.07

<sup>1</sup>Figures according to Directive 80/1269/EEC in the currently applicable version    <sup>2</sup>Mass of the vehicle in running order with at least 90% full fuel tank, plus the mass of the driver (estimated by law at 75kg), fuel and fluids, equipped with the standard equipment as specified by the manufacturer as well as, where applicable, the mass of the body, cab, trailer coupling and spare wheel(s) as well as tools. Optional extras, additional equipment and accessories can influence the weight, residual payload, rolling resistance, aerodynamics, etc., and therefore also affect the consumption/CO<sub>2</sub> values

# Technical data Estate

Model	C 220 d	C 300 d	C 200
<b>Fuel consumption<sup>3,4,5</sup></b>			
Combined (consumption dependent on chosen optional equipment)	l/100 km 5.0-4.7	5.4-5.2	7.0-6.7

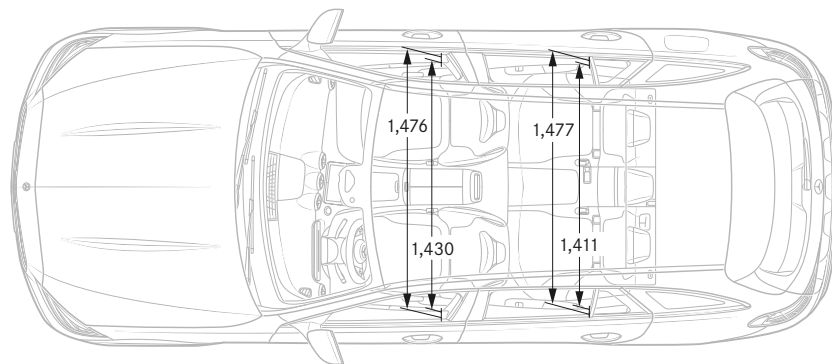
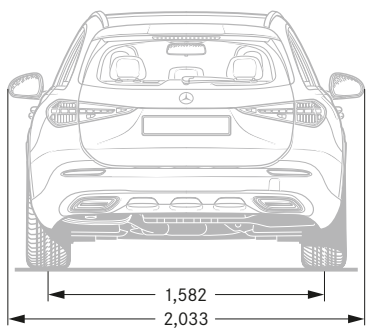
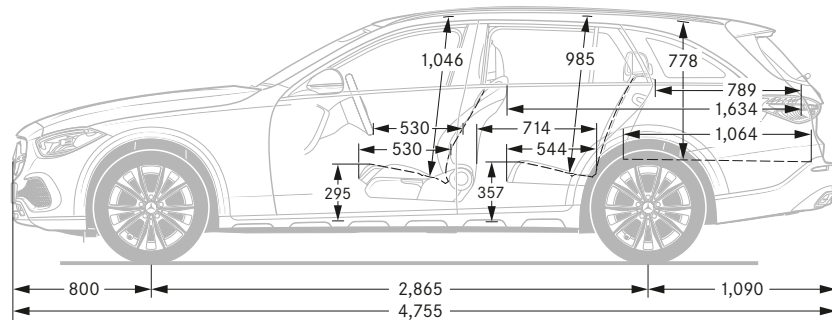
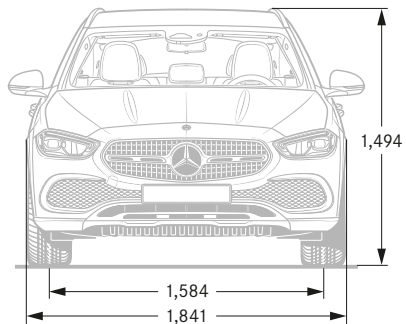


<sup>3</sup>All figures are based on a standard specification with the smallest tyre size available in Ireland

<sup>4</sup>The choice of wheels and transmission may affect CO<sub>2</sub> emissions and corresponding Road Fund Licence

<sup>5</sup>The indicated values were determined according to the prescribed measurement method - Worldwide Harmonised Light Vehicle Test Procedure (WLTP). Figures shown may include options which are not

Progressive/AMG Line





# Mercedes me

Welcome to your Mercedes-Benz world.

Imagine if ...you could connect with your Mercedes-Benz? With Mercedes me connect, you can! Mercedes me connect offers you new connectivity services that make driving more comfortable and incorporates your car into your personal lifestyle.

## Standard Services

- Maintenance Management
- Telediagnosics
- Breakdown Management
- Accident Recovery
- Mercedes-Benz Emergency Call System

## Remote Online Services<sup>1</sup>

- Remote Retrieval of Vehicle Status (fuel level, tyre pressure etc.)
- Parked Vehicle Locator
- Vehicle Tracker
- Geofencing
- Door lock / unlock function

<sup>1</sup> Can be used with Remote Online special feature.





Getting connected is easy. Just set up your Mercedes me account and get in touch with your Mercedes-Benz dealer to connect your vehicle to your profile to access your Mercedes me connect services.


Contact your dealer to get connected, or go to [www.mercedes.me](http://www.mercedes.me) for more details.





Follow us on the following social media channels:

 [facebook.com/MercedesBenzCarsIreland](https://facebook.com/MercedesBenzCarsIreland)

 [instagram.com/mercedesbenz\\_cars\\_ireland](https://instagram.com/mercedesbenz_cars_ireland)

 [linkedin.com/company/motor-distributors-ltd](https://linkedin.com/company/motor-distributors-ltd)

 [twitter.com/MercedesBenzIre](https://twitter.com/MercedesBenzIre)

 [youtube.com/mercedes-benzireland](https://youtube.com/mercedes-benzireland)

Motor Distributors Ltd.  
Naas Road  
Dublin 12  
Ireland  
[www.mercedes-benz.ie](http://www.mercedes-benz.ie)

Information correct at time of going to print. Prices and specifications are subject to change without prior notice. Prices quoted do not include dealer and delivery related charges. Images are for illustrative purposes only, actual product may vary. For more specific information in relation to the range of models, features, optional extras, colours and services available please speak to your local authorised Mercedes-Benz dealer.